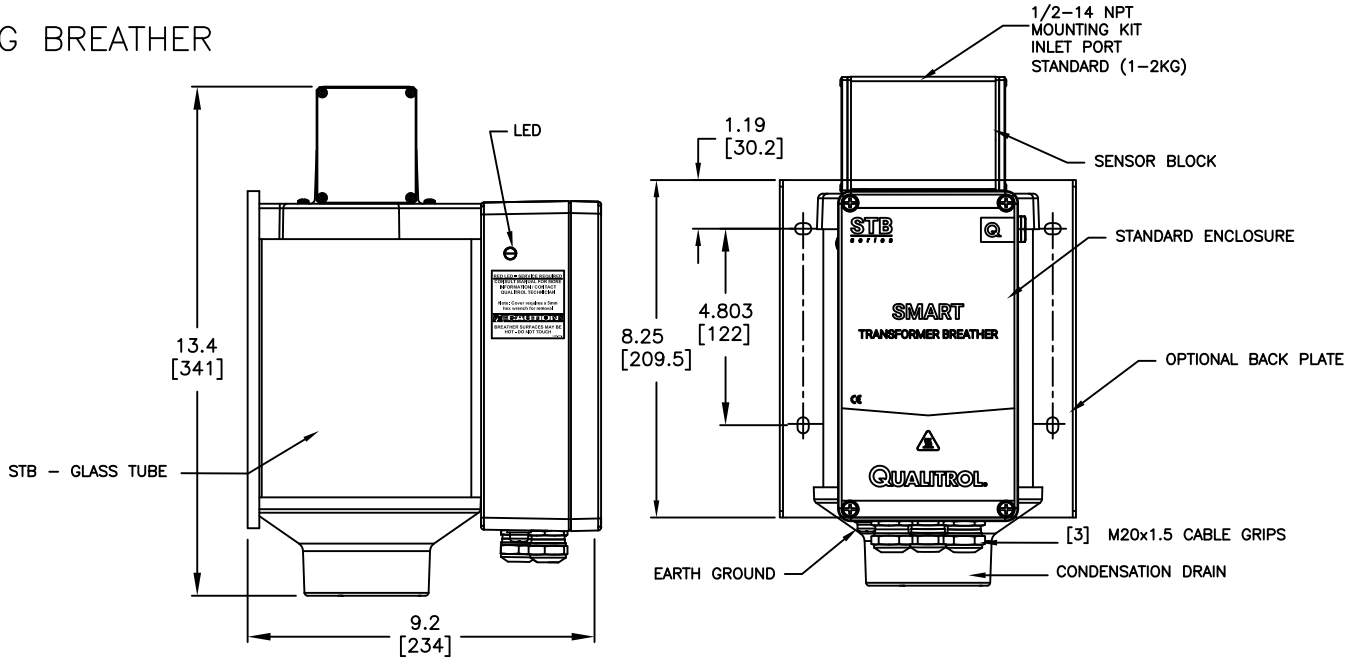
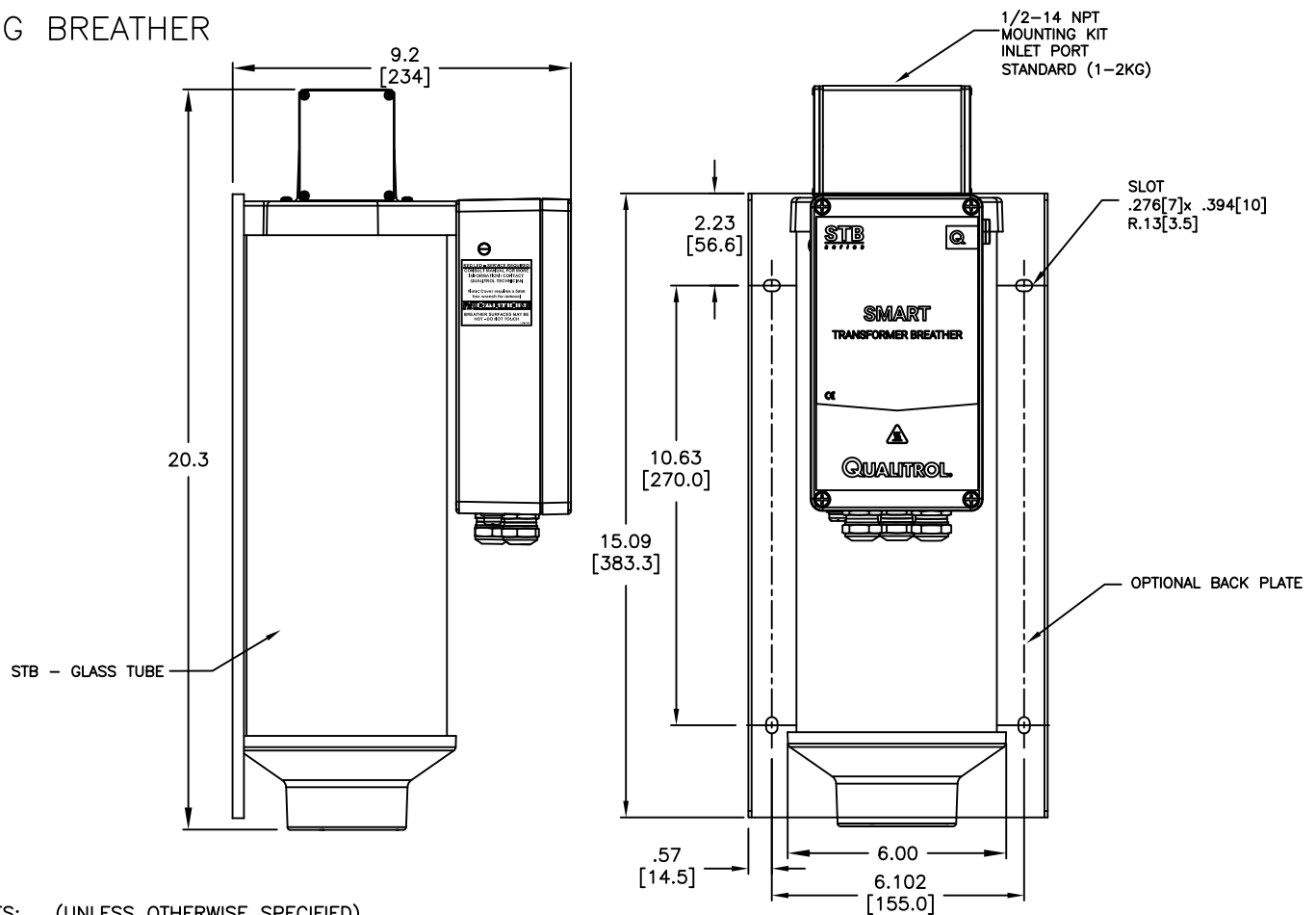




1KG BREATHER



2KG BREATHER



- NOTES: (UNLESS OTHERWISE SPECIFIED)
 1. DIMENSIONS ARE FOR REFERENCE AND SHOWN IN INCHES [MILLIMETERS].
 2. ENCLOSURE, BASE & SENSOR: ALUMINUM/ S.S.
 3. INSULATION TEST: 1000 VOLTS TO GROUND FOR 60 SECONDS.

Product Information

SMART TRANSFORMER BREATHER

© Qualitrol is an ISO 9001 system certified company.
Information subject to change without notice.

Option Sheet Part 1 of 1



Size

- 1 Kilogram (< 8,000 gal. of tank oil)
- 2 Kilogram (< 18,000 gal. of tank oil)

Application

- Main Tank and LTC (Universal)
- LTC only

Environment Conditions

- Standard Unit (-40°C)
- Polar Execution (-60°C)

Finish

- Standard C5M Paint
- Offshore version in stainless steel available upon request

Tube

- Glass
- Polycarbonate

Additional Features

- None
- Communications (Modbus-RS485 + Analog current loop)
- Data Logger

Mounting/ Connection Style

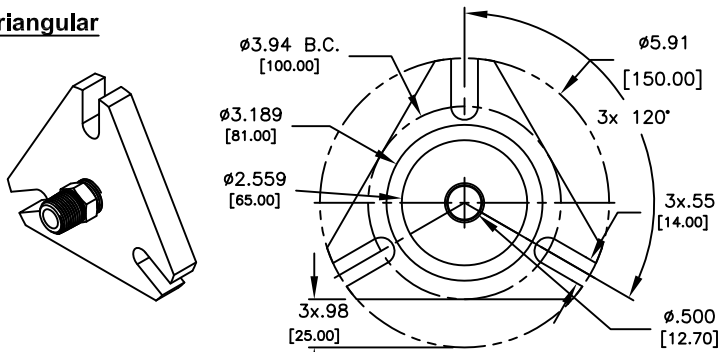
- Triangular
- Round flange 2.95[75] B.C
- Round flange 3.35[85] B.C
- Flex Hose 1/2NPT (80 inches) [2 meter]
- G 3/4 mounting adaptor

Mounting Plate Option

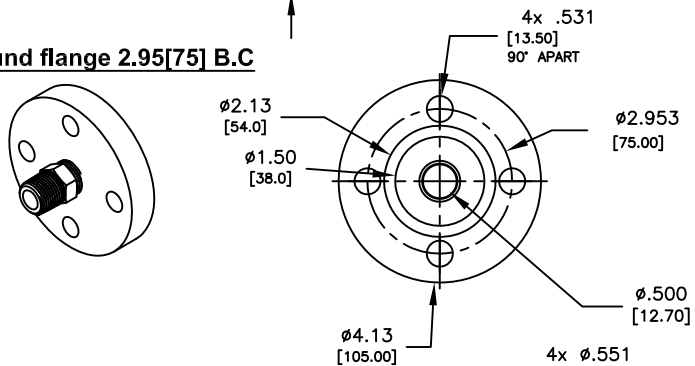
- Yes
- No

MOUNTING STYLES

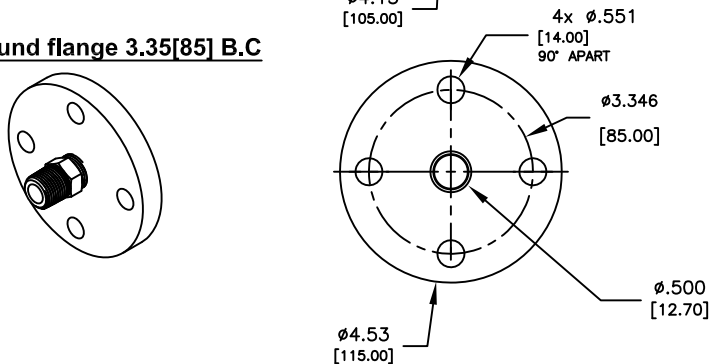
Triangular



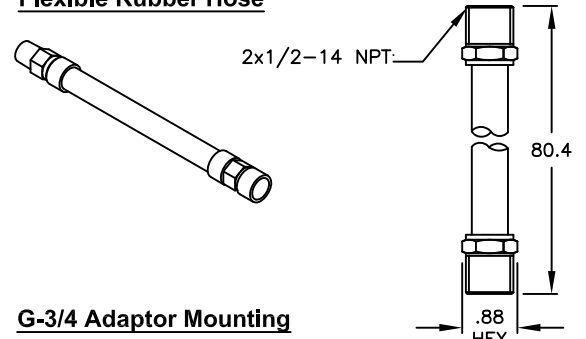
Round flange 2.95[75] B.C



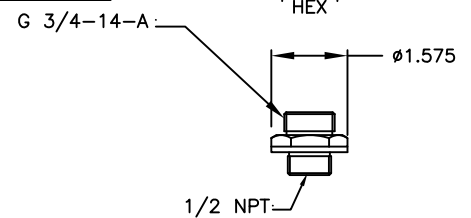
Round flange 3.35[85] B.C



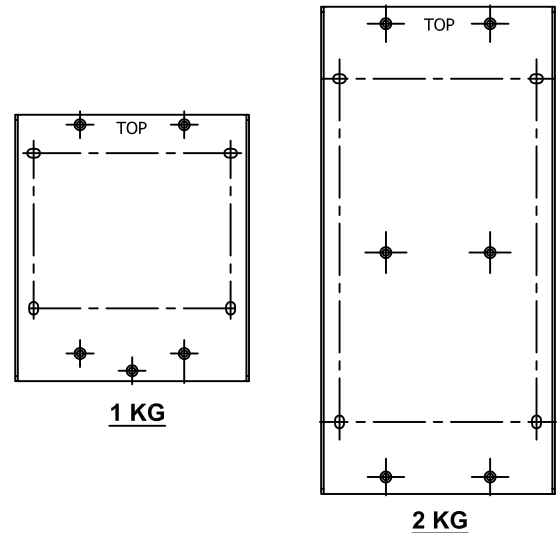
Flexible Rubber Hose



G-3/4 Adaptor Mounting



MOUNTING PLATE



- NOTES: (UNLESS OTHERWISE SPECIFIED)
1. DIMENSIONS ARE FOR REFERENCE AND SHOWN IN INCHES [MILLIMETERS].
 2. DRAWINGS ARE SHOWN FOR ILLUSTRATION ONLY (NOT TO SCALE).
 3. COMMUNICATIONS INCLUDES RS485 AND SCADA OUTPUT(CURRENT LOOP).
 4. FLEX HOSE INCLUDES BACK PLATE