

## 2N® Helios IP Indoor Touch – installation

For proper installation of 2N® Helios IP Indoor Touch you need:

91378355 2N® Helios IP Indoor Touch

91378356 Installation box for 2N® Helios IP Indoor Touch

Power supply 12V DC min 1A – either use 230VAC adaptor included in packaging, or any standart power supply

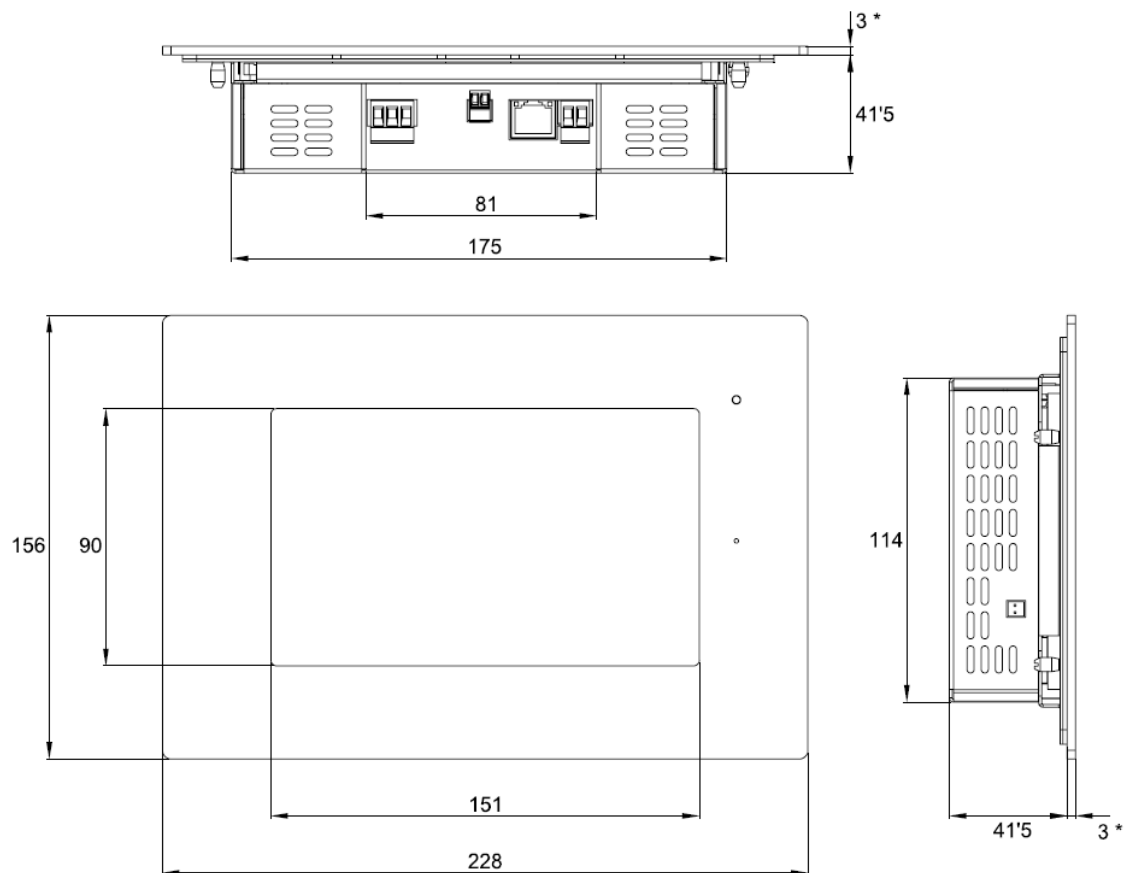
Tools for drilling of the hole, cabling etc



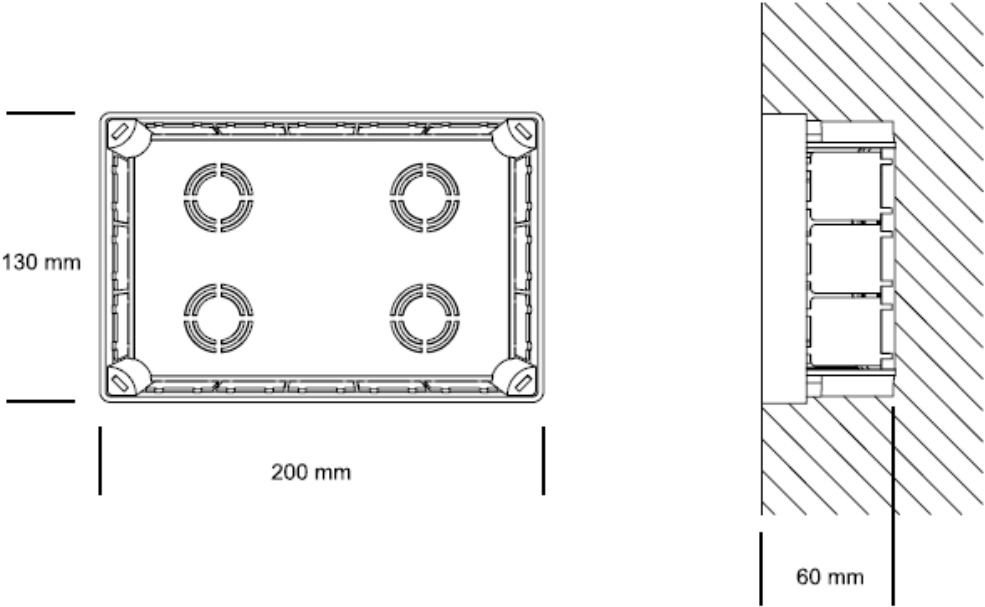
### INSTALLATION NOTES:

1. Select installation height to allow for direct line of sight
2. Do not expose to direct sun light
3. Handle carefully in order to avoid damaging the touch screen surface.

### OVERALL DIMENSIONS:



# INSTALLATION OF THE FLUSH MOUNT BOX



## COMPOSITION OF THE UNIT

Keep in mind connection and power supply cabling.

