

OPERATING AND MAINTENANCE INSTRUCTIONS

MODEL 6512D GROUND TENTS

TABLE OF CONTENTS

<u>SECTION</u>	<u>PAGE NUMBERS</u>
1.0 GENERAL	1
2.0 SPECIFICATIONS	1
3.0 DESCRIPTION	1
4.0 SAFETY FEATURES	1
5.0 SPECIAL PRECAUTIONS	1
6.0 TENT FEATURES	2
7.0 SET-UP INSTRUCTIONS	3
8.0 CARE AND MAINTENANCE	4
9.0 PARTS LIST	5-6

T. A. PELSUE COMPANY
2500 S. Tejon St., Englewood, CO 80110
Phone: (303) 936-7432 or (800) 525-8460
Fax: (303) 934-5581

MODEL 6512D GROUND TENT

1.0 GENERAL

1.01 This manual covers the description and operation of Pelsue Model 6512D Ground Tent.

1.02 The system is specifically designed to provide rugged protection from adverse weather conditions within seconds.

2.0 SPECIFICATIONS

Length: 12'
Width: 12'
Height: 7'
Weight: 94 lbs.

3.0 DESCRIPTION

3.01 Each assembly sets up in seconds.

3.02 Pelsue Ground Tents are built rugged for daily use.

3.03 Each tent has a one piece integral skin and frame construction that provides clear work area since it has no center pole.

3.04 Fabrics are selected for their strength, water resistance, light weight, and ultra-violet resistant qualities, for long life in hot or cold climates.

3.05 Snaps and "D" rings are used at doorway with overlapping flap to insure weather tight seal.

3.06 Non-corrosive hardware is used for all the fastening devices.

3.07 Fiberglass rods and Pelsue's patented hub system are used in construction for optimum strength and flexibility.

3.08 Tensioning straps are used on some of the larger tents to help add rigidity to the side walls during times of high winds.

3.09 A storage bag is provided for storage of the tent when not in use.

4.0 SAFETY FEATURES

4.01 Safety Yellow color provides high visibility.

4.02 Aluminum Diecast Hub Assembly for superior cold strength.

4.03 Stakes and ground flaps are provided to secure the shelter to the ground.

4.04 Rubber safety discs on hubs provide personnel protection.

4.05 All shelter fabrics meet CPAI-84 and NFPA 701 fire retardancy standards and are water repellent.

4.06 An opening in the rear wall allows blower ventilation of shelter or manhole.

4.07 Shelter protects personnel, equipment, and work area from adverse weather conditions.

5.0 SPECIAL PRECAUTIONS

5.01 Keep fingers away from hub.

5.02 Store in storage bag to protect fabric from abrasion and puncture.

5.03 Maintain proper ventilation when working with this tent or any confined space.

CAUTION: TO PREVENT INJURY, NEVER HOLD TENT CROSS-FRAME RODS AT THE CENTER HUB! ALWAYS PUSH RODS AWAY FROM YOU, KEEPING HEAD AND BODY OUT OF THE WAY! BE ALERT! FIBERGLASS RODS SNAP OVER-CENTER QUICKLY!

6.0 T. A. PELSUE COMPANY TENT FEATURES

MATERIAL

- 250/440 Denier Polyester - Upper
- 250 Denier Polyester - Lower
- Fabric Weight:
Minimum: 4.55 oz./yd.
Maximum: 5.20 oz./yd.
- Urethane coating
- Spray rating per AATCC #22
- Coated weight of fabric per ASTM D3776-96
- Fire retardancy per CPAI-84 & NFPA 701
- Fabric Count per ASTM D3775-96
- Water Repellency test per AATCC 127 - 1986
- Tensile Strength of Fabric per ASTM D5034-95
- Elongation of Fabric per ASTM D5034-95

FRAME

- Solid white pultruded fiberglass rods
- Mechanical properties per:
ASTM D3916/D63B, D4476/790, D695, D2583, D256, D149,
D150, D495, D792, D2584, D570 & D696

HUBS

- All hubs are made from one of three materials:
 - Cast zinc #3 per SAE 903, ASTM AG40A
 - Type 380 Aluminum
 - Cast zinc #5 per SAE 925, ASTM AC41A

CONSTRUCTION

- All edges and seams are finished
- 20 oz. reinforcing material in corner rod pockets
- Black (UV resistant) cable ties
- Windows have snap in place closures for foul weather
- Heavy duty non-metallic snaps and D rings for door closures
- Door interconnect
- Instructions are sewn into tent door
- Roof seams are sealed where needed

OPTIONS

- Custom silkscreening
- Removable floor
- Additional or special windows
- Custom modifications for splicing

8.0 CARE AND MAINTENANCE

8.01 Always dry tent off prior to placing in storage bag to help prevent the growth of mildew.

8.02 Always store tent stakes in stake bag supplied and not loose in the tent bag to lessen the chance of the stakes wearing a hole in the tent skin due to abrasion.

8.03 Protect from sparks and open flame when working in and around tent.

8.04 In the event you find a leak in the seams of the tent, apply seam sealer to desired seam area according to directions on the tube. A handy sized tube of seam sealant can be purchased through our Customer Service Department at 1-800-525-8460. Order Part Number 100074-002.

8.05 For optimum performance and to avoid a frame failure, periodically check the tightness of the screws in the hubs and in the rubber feet.

8.06 T. A. Pelsue offers a Tent Repair/Maintenance Kit P/N D-2007 for small repairs to the tent skin and periodic maintenance.

8.07 To clean the tent, use a mild liquid dishwashing detergent and warm water (not hot). Set tent up and gently wash down tent walls and roof using a soft cloth or sponge. Rinse thoroughly with a light spray from a garden hose. Allow tent to dry then store as normal.

8.08 For additional waterproofing, a product such as Scotchguard may be used.

FOR PARTS AND SERVICE CONTACT:

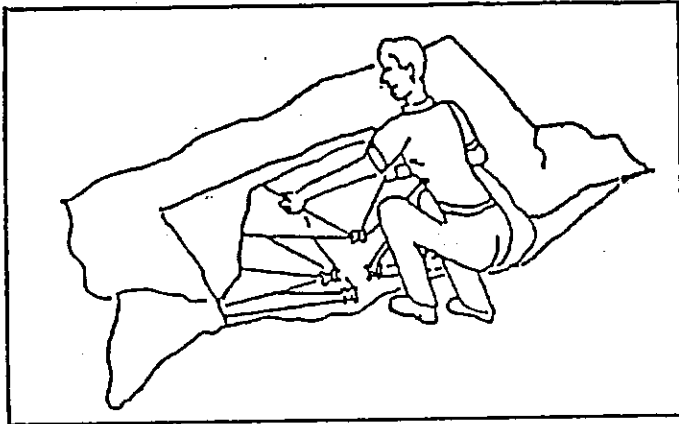
PELSUE COMPANY
2500 SOUTH TEJON STREET
ENGLEWOOD, COLORADO 80110
PHONE: (303) 936-7432
IN USA: 1-800-525-8460
FAX: (303) 934-5581

NOTE: Pelsue tents are covered by the following U.S. Patents:

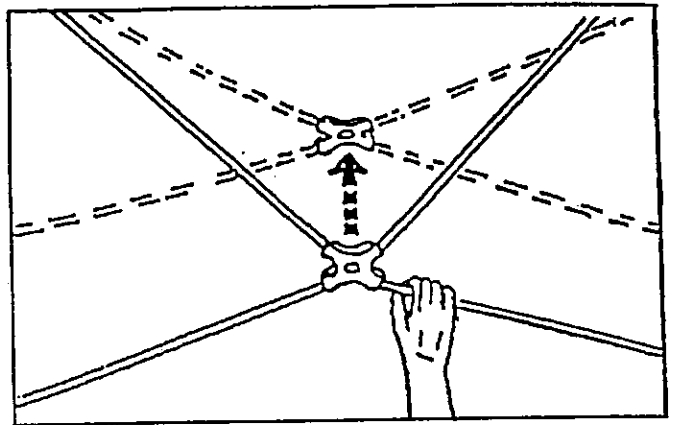
3,941,140/4,026,312/3,968,809/
4,077,417/4,285,354/4,450,851/
4,637,748/4,819,680/4,941,499/
4,998,552/5,069,572.

Other foreign patents apply.

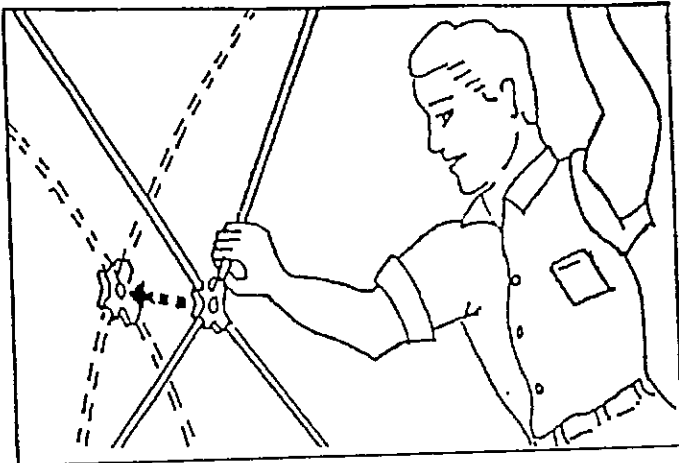
7.0 SET-UP INSTRUCTIONS FOR PELSUE MODEL 6512D GROUND TENT



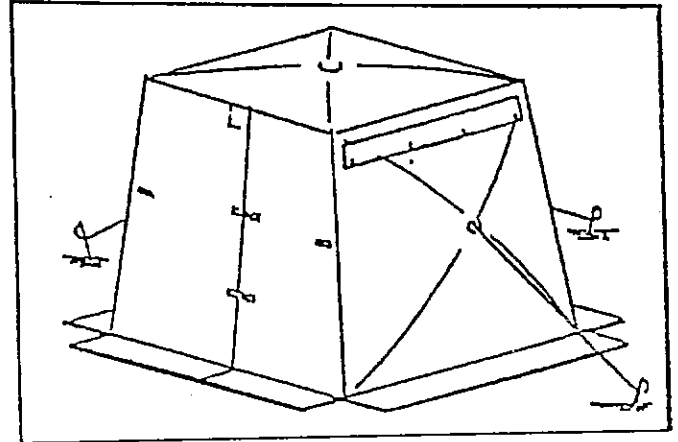
1. Remove tent, unfold and fan out tent on the ground so that you are facing the door opening.
2. Take rods that are attached to the yellow hub, one in each hand, and lift frame overhead.
3. You are now enclosed by the tent.



4. With one hand holding onto the tent side, place the other hand on rod adjacent to the yellow hub and push so that the hub goes over-center, placing rods under compression forming the top panel of the tent.



5. Keep one hand on the rod at the top and place the other hand on one of the side rods adjacent to hub, and push rod so that it goes over-center forming one side panel of the tent.
6. Repeat Step 5 for the other side wall and the back wall.



7. Anchor 3 stabilizing guy wires with stakes provided.
8. Tent is now self-supporting.
9. Anchor tent at base, extend 12" flaps and place dirt or heavy object on it.
10. Tent is collapsed by reversing the process.

NOTE: Check tightness on all screws periodically. Replace tie down ropes when necessary. Replace rubber items when badly worn.

SEAM SEAL: Even though the seams of the tent have been sealed at the factory, small leaks may develop with extended use. A handy sized tube of seam sealant can be purchased through our Customer Service Department at 1-800-525-8460. Order Part Number 100074-002. Simply apply sealer to desired seam area according to the directions on the tube.

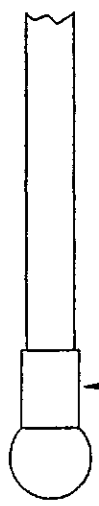
CAUTION: FOR ALL PRACTICAL PURPOSES, THIS TENT SHOULD BE CONSIDERED AIR TIGHT AND PROPER VENTILATION MUST BE MAINTAINED AT ALL TIMES. AVOID OPEN FLAME OR HEATERS THAT WOULD CONSUME THE OXYGEN INSIDE THE TENT.

CAUTION: DUE TO ITS LARGE SIZE, THE MODEL 6512D REQUIRES TWO PEOPLE TO SAFELY SET UP AND TAKE DOWN.

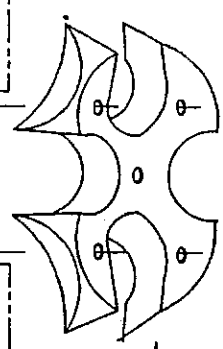
THIS DOCUMENT AND THE DATA DISCLOSED HEREIN OR HEREWITH IS NOT TO BE REPRODUCED, USED, OR DISCLOSED IN WHOLE OR IN PART TO ANYONE WITHOUT THE PERMISSION OF THE T. A. PELSUE COMPANY.

REVISIONS		DESCRIPTION	DATE
ZONE	REV		
0		ISSUED FOR PRODUCTION	12-8-97

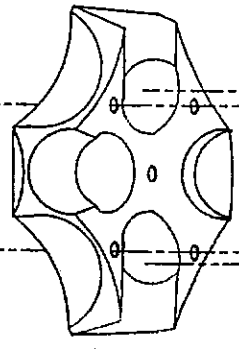
ENDS FROM ROD ASSY



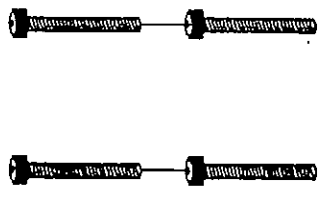
TOP HUB CASTING
P/N 101121-001



BOTTOM HUB CASTING
P/N 101121-002



1/4" 24 X 1"
SOCKET HEAD SCREWS
P/N 100423-010
4 EACH



NOTE(S):
SCREWS MUST BE SECURED WITH LOCTITE

UNLESS OTHERWISE SPECIFIED ALL DIMENSIONS ARE IN INCHES TOLERANCES ARE ± 1/16 ANGLES ARE WITHIN 2°

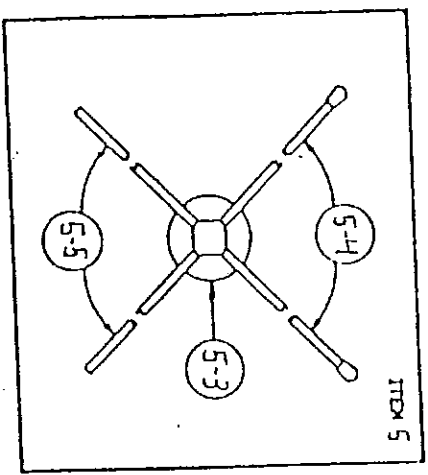
PELSUE 2500 SOUTH TUDON STREET ENGLEWOOD COLORADO 80110 USA

Released for Production
Date 12-31-97 Initials PS

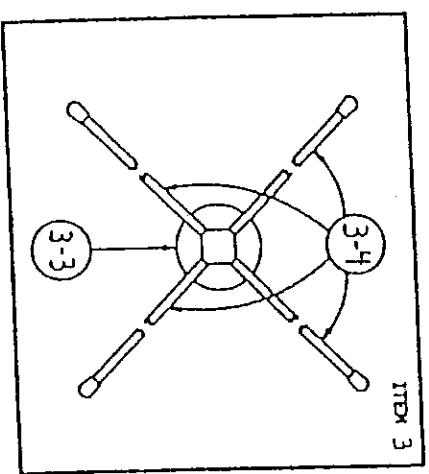
APPROVALS	DATE	TITLE	SIZE	APPROVALS	DWG. NO.	REV.
DRAWN B VAVRA	12-8-97	HUB ASSEMBLY ASSEMBLY DETAIL	B		117480	0
DRIVE	*	SCALE	NOTE	DO NOT SCALE DWGS.	SHEET	1 OF 1

DATE	BY
1.1.1	FIELD NO. FABRICATED

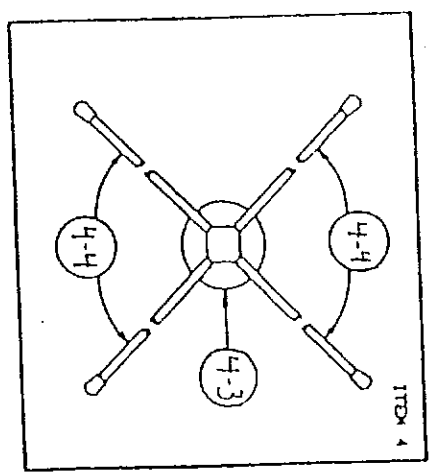
RIGHT & LEFT SIDE (SUB FRAME ASSEMBLY)



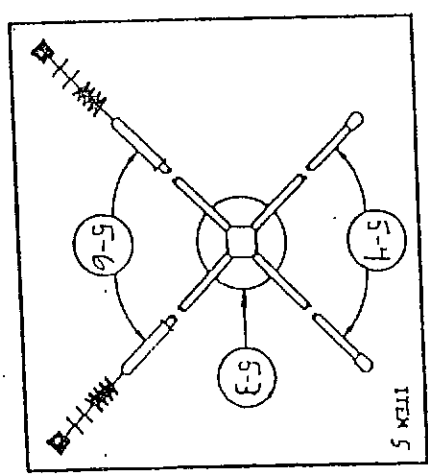
ROOF (SUB FRAME ASSEMBLY)



REAR SIDE (SUB FRAME ASSEMBLY)



RIGHT & LEFT SIDED (SPRING FOOT SUB FRAME ASSEMBLY)

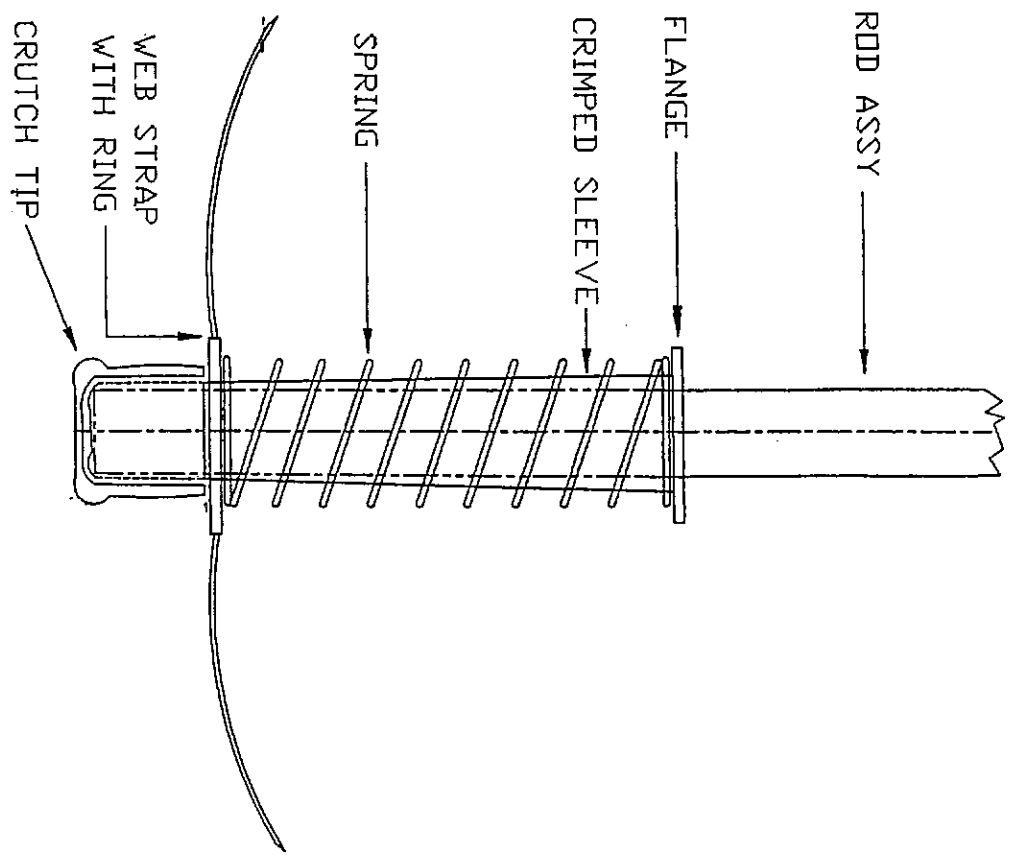


ITEM NO.	DESCRIPTION	QUANTITY	UNIT
5	ROOF (SUB FRAME ASSEMBLY)	1	EA
3	RIGHT & LEFT SIDE (SUB FRAME ASSEMBLY)	1	EA
4	REAR SIDE (SUB FRAME ASSEMBLY)	1	EA
5	RIGHT & LEFT SIDED (SPRING FOOT SUB FRAME ASSEMBLY)	1	EA

FRAME SUB ASSEMBLY
GROUND TENT

ITEM NO. 1
QUANTITY 1
UNIT EA

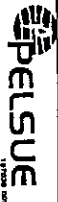
THIS DOCUMENT AND THE DATA DISCLOSED HEREIN OR HEREWITH IS NOT TO BE REPRODUCED, USED, OR DISCLOSED IN WHOLE OR IN PART TO ANYONE WITHOUT THE PERMISSION OF THE T. A. PELTUS COMPANY.



REVISIONS		DESCRIPTION	DATE	BY
0	REV	RELEASED TO PRODUCTION	6-14-89	F. HOWELL
1	REV	COMPLETED AND TRANSFERRED TO CAD	12-29-97	D. VAVRA

Released for Production
 Date: 2/23/97 Initial: DV

UNLESS OTHERWISE SPECIFIED ALL DIMENSIONS ARE IN INCHES TOLERANCES ARE ± 1/16 ANGLES ARE WITHIN 2°			
APPROVALS	DATE	TITLE	SCALE
DRAWN D. VAVRA	12-29-97	STANDARD SPRING FOOT ASSEMBLY	1 OF 1
SIZE B	APPROVALS	DWG. NO. 106167	REV. 1
SCALE FULL	DO NOT SCALE DWGS	SHEET	
DRIVE *			



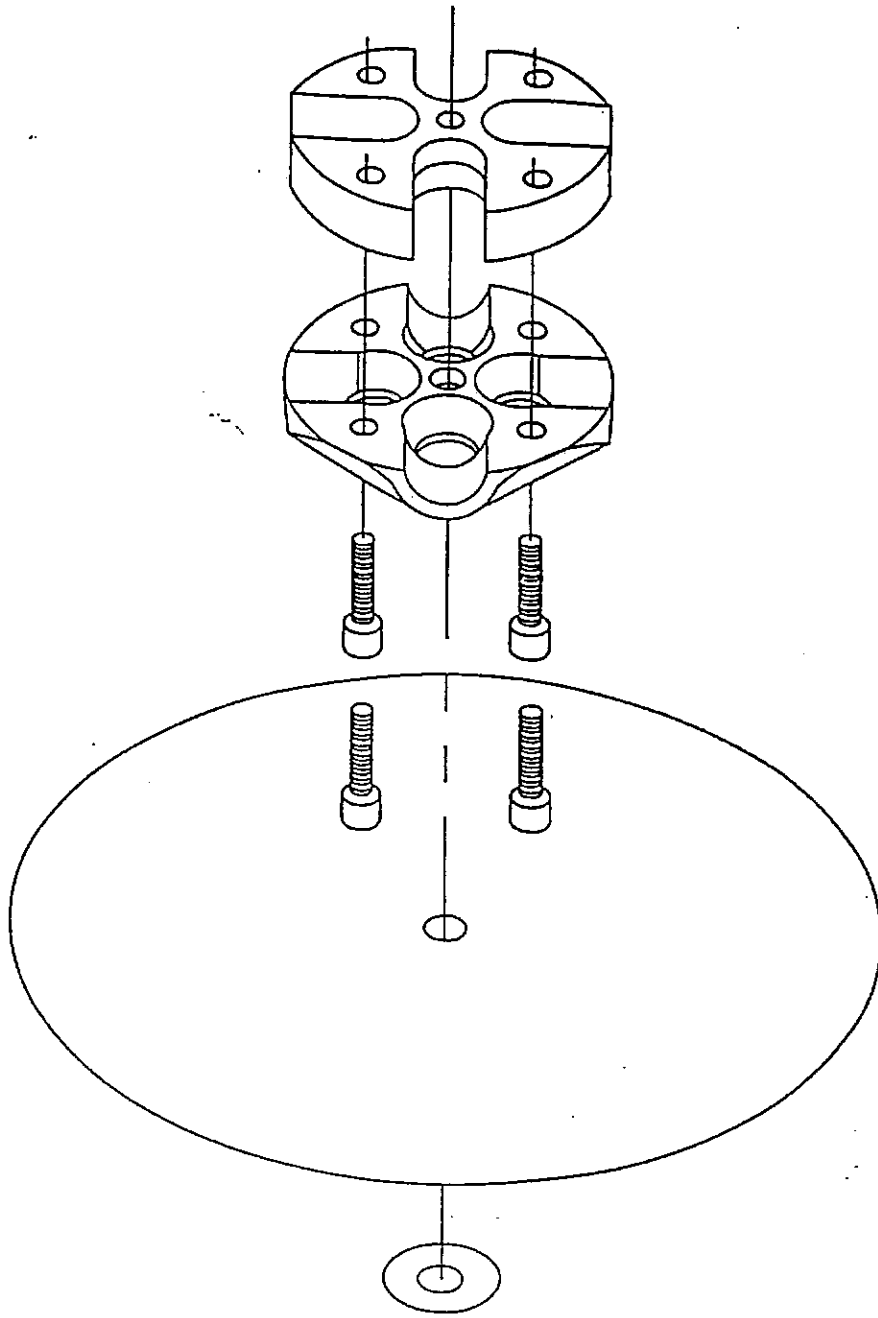
2500 SOUTH TEJON STREET
 ENGLEWOOD COLORADO 80110 USA

9.0 PARTS LIST - MODEL 6512D

<u>PART NO.</u>	<u>DESCRIPTION</u>	<u>QTY.</u>
109150-001	Skin Assembly	1 1938.00
109146-001	Frame Assembly - Roof, Sides & Back	1
	<i>Consisting of:</i>	
109153-001	Roof Frame Assembly	1 252.
	<i>Consisting of:</i>	
109149-001	RES14 Hub Assembly	1 60.
	<i>Consisting of:</i>	
101121-001	Hub Top - RES 14	1
101121-002	Hub Bottom - RES 14	1
100423-010	Screw - 1/4 - 20 UNC x 1" Socket Head	4
105558-001	#10 Flat Washer	1
106297-002	Rubber Pad	1
109148-001	Rod Assembly 5/8" dia. x 96" L.	4 68
109147-001	Frame Assembly - Rear Wall	1 270
	<i>Consisting of:</i>	
109149-001	Hub Assembly - RES 14	1 60
	<i>Consisting of:</i>	
101121-001	Hub Top - RES 14	1
101121-002	Hub Bottom - RES 14	1
100423-010	Screw - 1/4 - 20 UNC x 1" Socket Head	4
105558-001	#10 Flat Washer	1
106297-002	Rubber Pad	1
116521-001	Rod Assembly, 3/4" Dia. x 80.75" L.	4 72.00
109152-001	Frame Assembly - Side Wall	2 300.
	<i>Consisting of:</i>	
109149-001	Hub Assembly - RES 14	1 60
	<i>Consisting of:</i>	
101121-001	Hub Top - RES 14	1
101121-002	Hub Bottom - RES 14	1
100423-010	Screw - 1/4 - 20 UNC x 1" Socket Head	4
105558-001	#10 Flat Washer	1
106297-002	Rubber Pad	1
109489-001	Rod Assembly, Upper Side, 3/4" x 82"	2 76.00
109490-001	Rod Assembly, Lower Side Front, 3/4" x 82"	1 100.00
	<i>Consisting of:</i>	
109751-001	Tent Rod Support Sleeve, 1" x 74.625" Alum.	1 55.
106168-001	Compression Spring	1 12.50
106166-001	Spring Foot Sleeve	1 14.00
103105-003	Rubber Crutch Foot	1 2.00
107152-001	Fiberglass Rod 3/4" x 82"	1 40.00
101122-001	Rod End	1 5.00

9.0 PARTS LIST (cont.) - MODEL 6512D

<u>PART NO.</u>	<u>DESCRIPTION</u>	<u>QTY.</u>
111665-001	Rod Assembly, Lower Side- Back 3/4" x 82"	1 102.00
	<i>Consisting of:</i>	
106168-001	Compression Spring	1
106166-001	Spring Foot Sleeve	1
103105-003	Rubber Crutch Foot	1
107152-001	Fiberglass Rod 3/4" x 82"	1
101122-001	Rod End	1
29D-661200	Carrying Case	1 135.00
104476-000	Rope #6, White	559"
118641-001	Tent Stake	3



(RES 14 HUB ASSEMBLY)