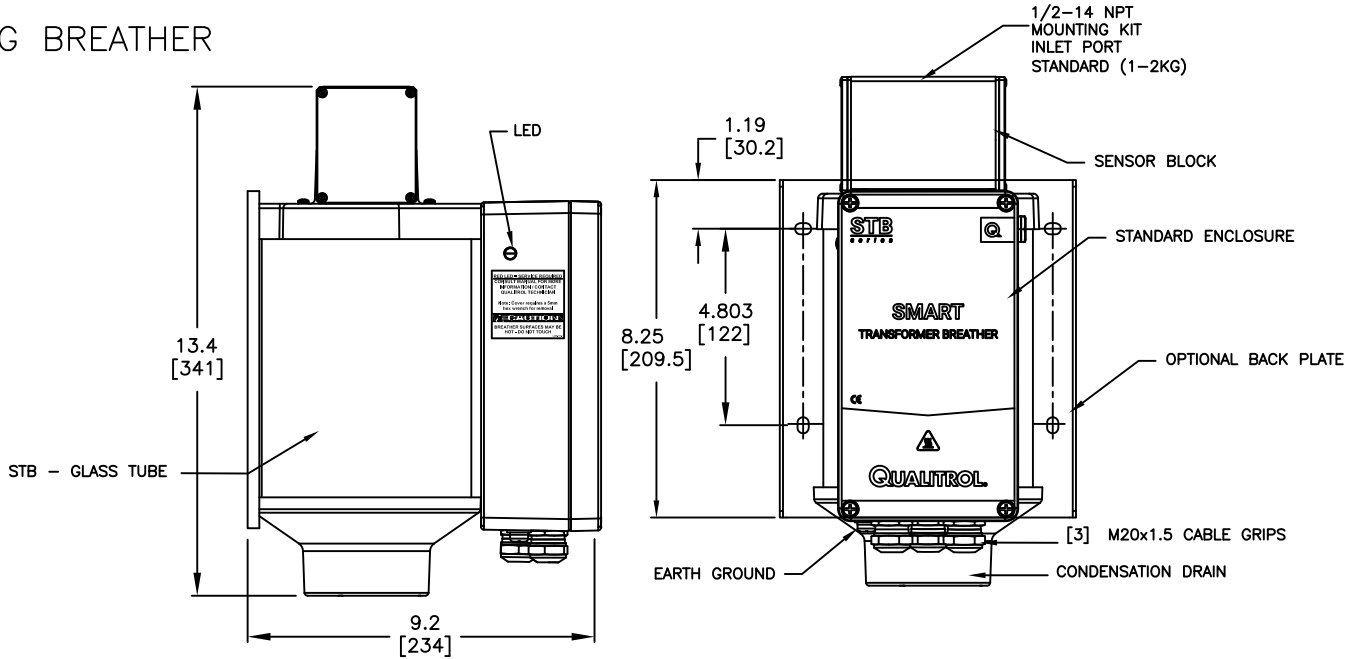
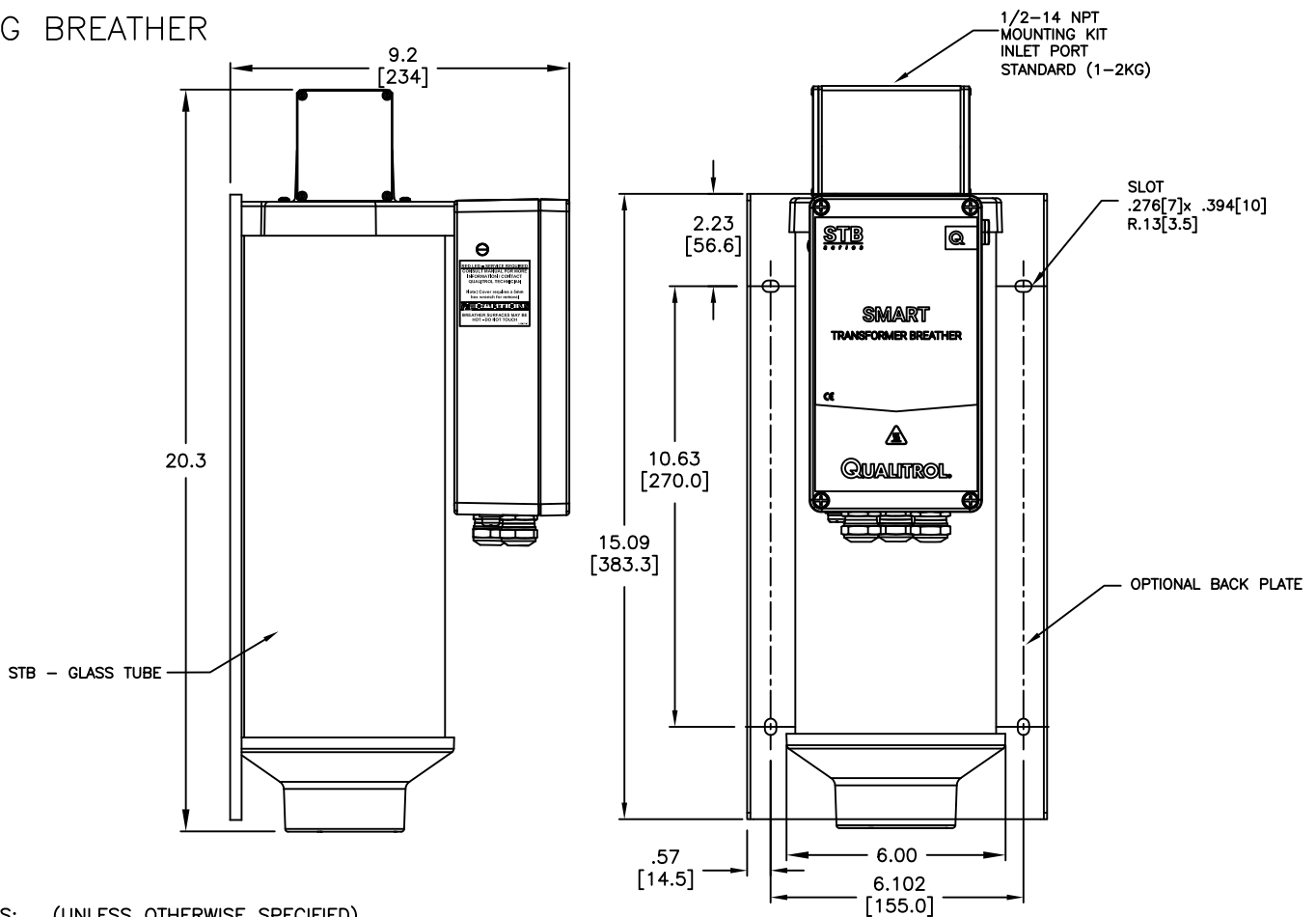




**1KG BREATHER**



**2KG BREATHER**



- NOTES: (UNLESS OTHERWISE SPECIFIED)  
 1. DIMENSIONS ARE FOR REFERENCE AND SHOWN IN INCHES [MILLIMETERS].  
 2. ENCLOSURE, BASE & SENSOR: ALUMINUM/ S.S.  
 3. INSULATION TEST: 1000 VOLTS TO GROUND FOR 60 SECONDS.

# Product Information

## SMART TRANSFORMER BREATHER

© Qualitrol is an ISO 9001 system certified company.  
Information subject to change without notice.

Option Sheet Part 1 of 1



### Size

- 1 Kilogram (< 8,000 gal. of tank oil)
- 2 Kilogram (< 18,000 gal. of tank oil)

### Application

- Main Tank and LTC (Universal)
- LTC only

### Environment Conditions

- Standard Unit (-40°C)
- Polar Execution (-60°C)

### Finish

- Standard C5M Paint
- Offshore version in stainless steel available upon request

### Tube

- Glass
- Polycarbonate

### Additional Features

- None
- Communications (Modbus-RS485 + Analog current loop)
- Data Logger

### Mounting/ Connection Style

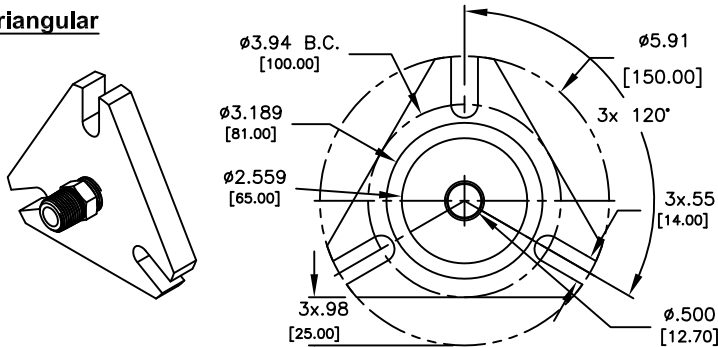
- Triangular
- Round flange 2.95[75] B.C
- Round flange 3.35[85] B.C
- Flex Hose 1/2NPT (80 inches) [2 meter]
- G 3/4 mounting adaptor

### Mounting Plate Option

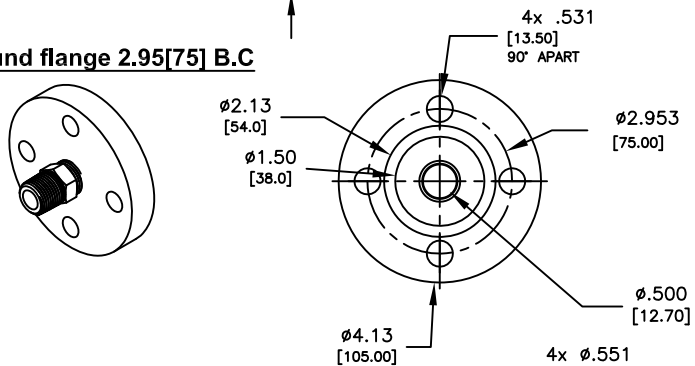
- Yes
- No

## MOUNTING STYLES

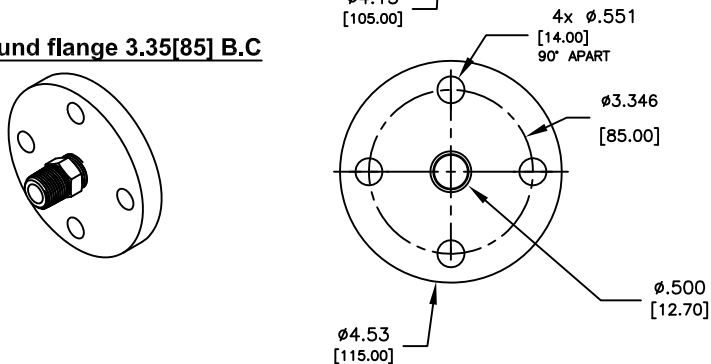
### Triangular



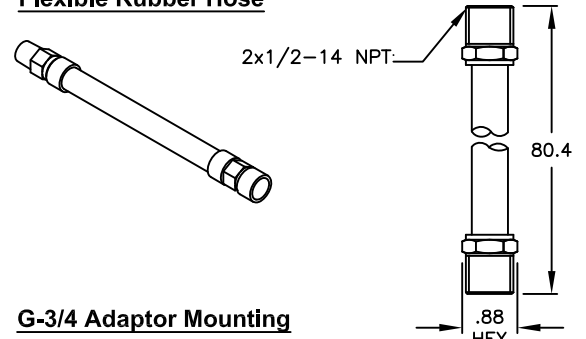
### Round flange 2.95[75] B.C



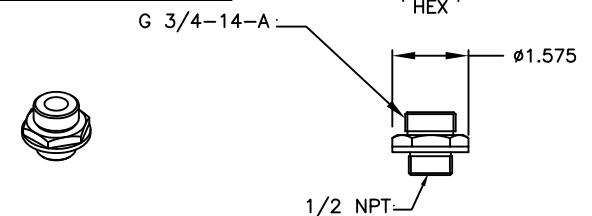
### Round flange 3.35[85] B.C



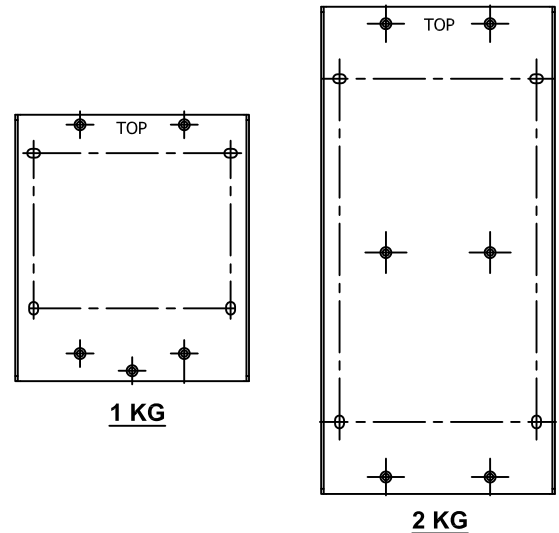
### Flexible Rubber Hose



### G-3/4 Adaptor Mounting



## MOUNTING PLATE



- NOTES: (UNLESS OTHERWISE SPECIFIED)
- DIMENSIONS ARE FOR REFERENCE AND SHOWN IN INCHES [MILLIMETERS].
  - DRAWINGS ARE SHOWN FOR ILLUSTRATION ONLY (NOT TO SCALE).
  - COMMUNICATIONS INCLUDES RS485 AND SCADA OUTPUT(CURRENT LOOP).
  - FLEX HOSE INCLUDES BACK PLATE