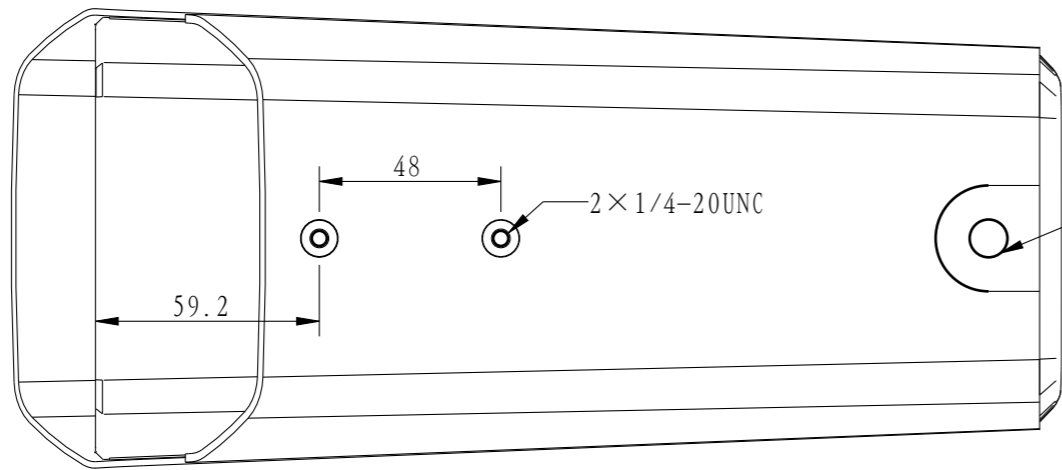
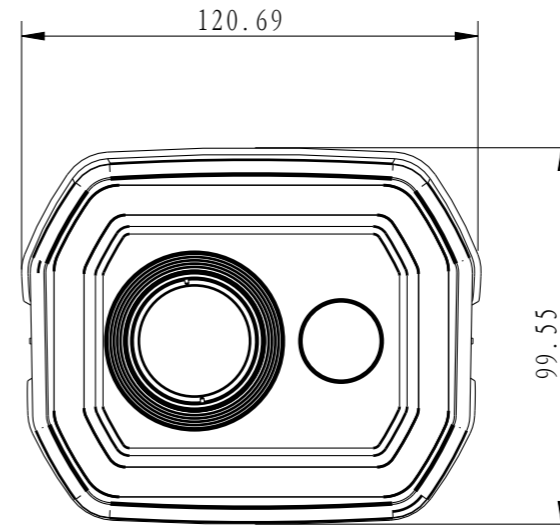
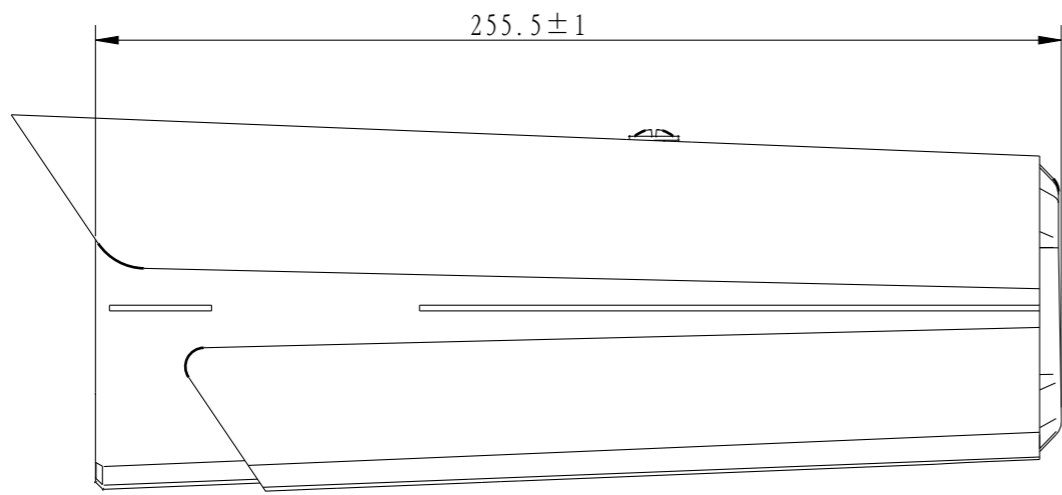


Right Reserved!

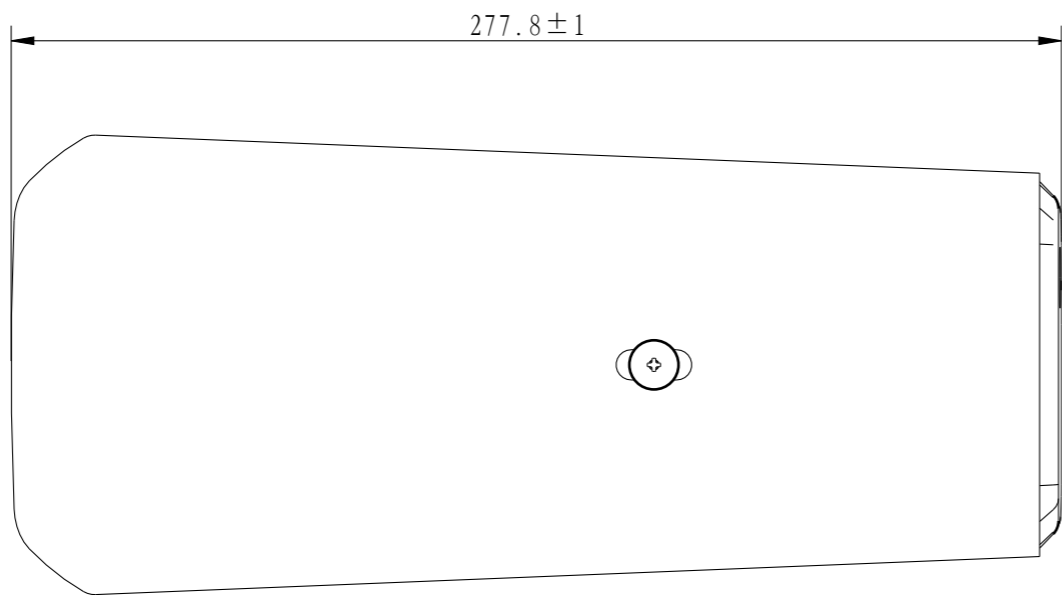


outlet




Technical description:

1. Detector  
Infrared: 384 \* 288 17um  
Visible light: 1920 \* 1080
2. Optical parameters  
Infrared lens:  
F=9.6mm, F/#=1.0  
Athermalized, no focus  
Visible lens:  
F=6mm
3. interface  
Input voltage 12V
4. Human body temperature measurement  
Accuracy  $\pm 0.3$   
Face recognition, tracking



File Name:

Version	Sign	Quantity	Modified Content				Bill No	Name	Date
			ISMTB-ZS-315 Thermographic Head				Drawing No		
Designer			Part No				Project Method		Model No
Checker			Material						
Supervisor			Version	Unit	Quantity	Scale	Page No		Pages Total
Standardization			A1	mm		1:2			
Approver									