

# R&S® NGE100B

versus

# Keysight E3631A

## Fitting your daily needs

- All channels are galvanically isolated and earth-free
- All channels are electrically equivalent with the same voltage, current and power
- Parallel and serial operation
- Protection functions to safeguard instrument and DUT
- Tracking and link functions
- Remote control via USB interface and optional LAN or wireless LAN, unique in this class

Your benefit	Features
Straightforward operation	All basic functions can be operated via direct keys on the front panel. The rotary knob can be used to adjust the desired voltage or current.
The separate output channels can work like individual power supplies	All channels are electrically equivalent, galvanically isolated, earth-free and can be combined in serial or in parallel to achieve higher voltages or currents.
Small, compact and quiet	Combination of primary transformer, secondary switching regulator and additional linear control reduces weight and size, yet maintains robustness and low ripple.

► For more information, see [www.rohde-schwarz.com/product/nge100](http://www.rohde-schwarz.com/product/nge100)



Parameter	R&S® NGE100B	Keysight E3631A
Size	½ / 19" 2HU	½ / 19" 3HU
Channels	2 or 3	3
Equivalent channels	yes	no
All channels galv. isolated	yes	no
Voltage	0 V to 32 V	0 V to 6 V / 0 V to +/-25 V
Current	0 A to 3 A	0 A to 5 A / 0 A to 1 A
Max. output power	66 W / 100 W	80 W
Ripple V (20Hz to 20MHz)	< 1 mV <sub>RMS</sub>	< 500 µV <sub>RMS</sub>
Ripple I (20Hz to 20MHz)	< 2 mA <sub>RMS</sub>	< 2 mA <sub>RMS</sub>
Display	TFT 3.5" QVGA	VFD
Setting resolution	10 mV / 1 mA	1.5 mV/0.1 mA
Readback resolution	10 mV / 1 mA	10 mV/0.1 mA
Sense	no	no
Tracking (V/I)	yes / yes	no / no
Arbitrary	EasyArb	timer
Electronic fuse	yes, with FuseLink	yes
Protection	OCP / OVP / OTP	OCP / OVP / OTP
Interface	USB, LAN (opt.) / Wi-Fi (opt.)	RS-232 / GPIB
Command processing time	< 10 ms	< 50 ms
Certifications	CE, TÜV, LXI	CE, TÜV, LXI

## Wireless LAN option

WLAN	
MAC Address	f8:f0:05:f1:56:e3
Module	Enabled
Status	Connected
SSID	RS@DAS_SPEKTRUM
Password	●●●●●●●●
Connect	Disconnect
IP Address	192 . 168 . 50 . 13
Subnet Mask	255 . 255 . 252 . 0
Gateway	192 . 168 . 48 . 1

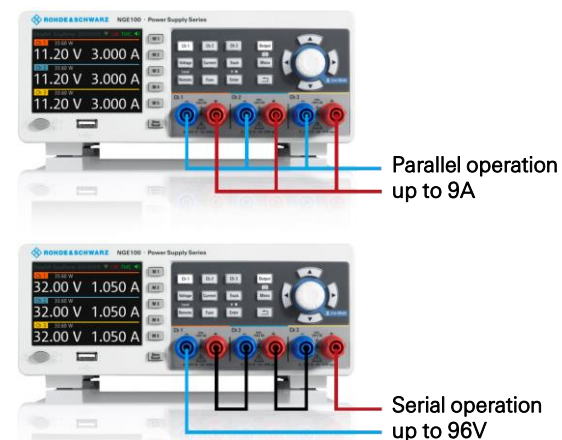
Wireless LAN option allows easy access to the unit.

## Built for production

Digital IO			
DIO 1	DIO 2	DIO 3	DIO 4
Direction	Trigger In		
Channel	Ch 1		
Response	Start EasyArb		
Trigger	Pulse		
Logic	Active High		
Status	Enabled		

Digital I/O option makes production integration a breeze.

## Parallel and serial operation

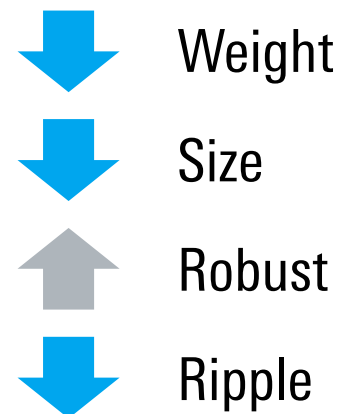


Running in parallel, higher currents can be achieved; serial connected channels yield higher voltages.



With electrically equivalent channels and galvanically isolated outputs, the single channels of the R&S®NGE100B work like individual power supplies.

## The Rohde & Schwarz advantage



Combination of primary transformer, secondary switching regulator and additional linear control reduces weight and size, yet maintains robustness and low ripple.