

# DSS532

Key Expansion Module



## Quick Installation Guide

Thank you for choosing DSS532!

Please read this guide for correct installation and retain it for future reference.

The information in this guide was current at the time of publication. All specifications are subject to change without notice.

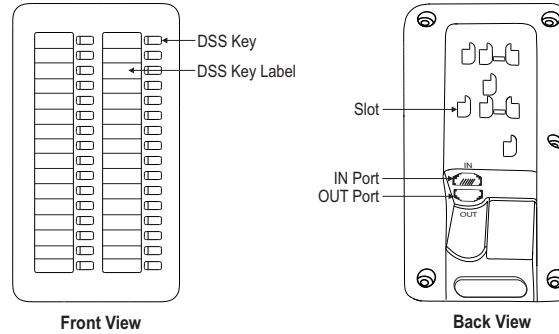
This Guide is meant to help you install and connect the DSS532 as the Key Expansion Module for EON510 or SPARSH VP510 phone.

**Copyright**  
All rights reserved. No part of this document may be copied or reproduced in any form or by any means without the prior written consent of Matrix Comsec Pvt. Ltd.

**Warranty**  
Limited Warranty. Valid only if primary protection is provided, mains supply is within limit and protected, and environment conditions maintained within product specifications. Complete warranty statement is available on our website: [www.MatrixTeleSol.com](http://www.MatrixTeleSol.com)

## 2.

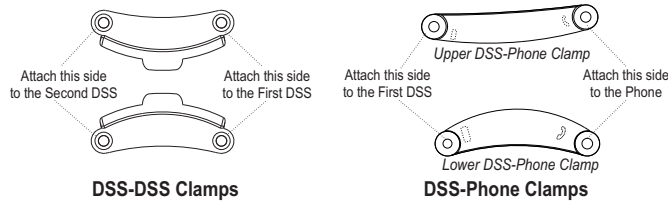
### Know Your DSS532



### What Your Package Contains

- DSS532
- RJ11 Cable
- Foot Stand
- DSS Extender
- 4 Clamps (2 DSS-Phone Clamps and 2 DSS-DSS Clamps)
- Warranty Card Set
- Quick Installation Guide (printed copy)

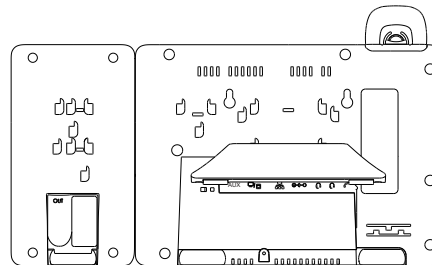
### DSS532 Clamps



### Installing DSS532

#### Step 1 Attach the DSS532 with Phone

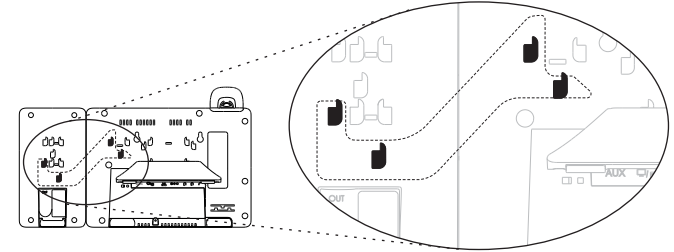
- Turn the phone upside down on a table.
- Now, place the inverted DSS532 adjacent to the phone.



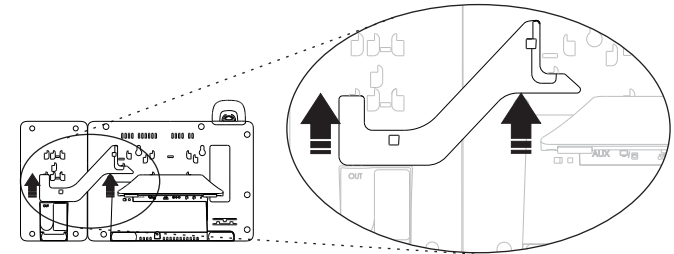
## 3.

### Attach the DSS Extender

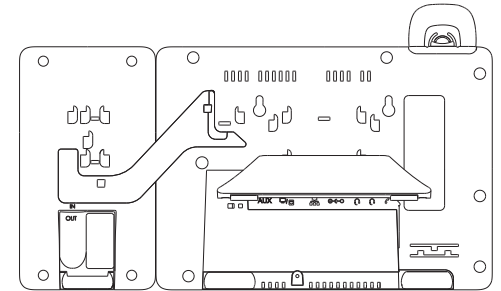
- To attach the DSS532 with the phone use the DSS Extender.
- Place the DSS Extender as illustrated below.



- Insert the hooks on the Extender into the slots provided on the phone and the DSS532.

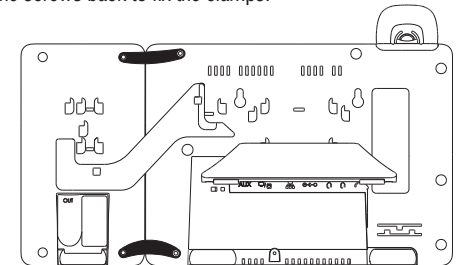


- Firmly slide the DSS Extender upward to lock them in place.



### Attach the Clamps

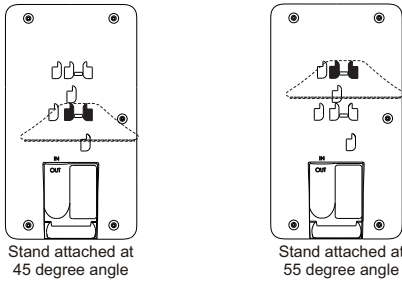
- Remove the screws to attach the clamps.
- Place the DSS-Phone Clamps between the DSS532 and the phone.
- Insert the screws back to fix the clamps.



4.

### Attach the Foot Stand

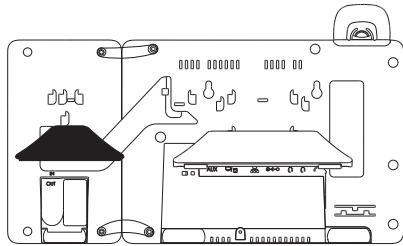
- You can mount the DSS532 with the phone on the desk at two angles - 45 degrees or 55 degrees by attaching the Foot Stand.



Stand attached at 45 degree angle

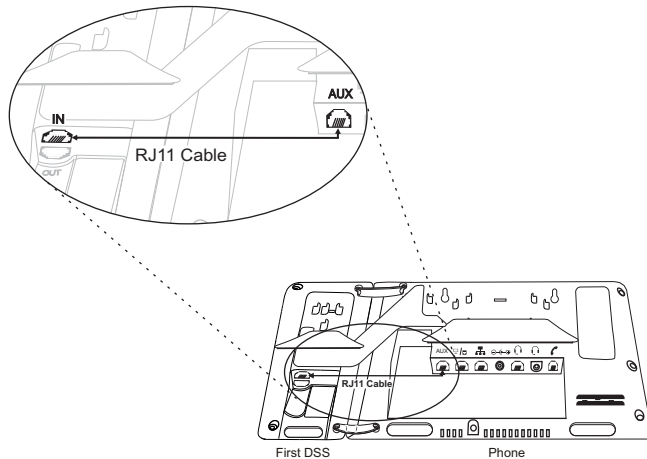
Stand attached at 55 degree angle

**Note:** Make sure that the DSS532 and phone are mounted at the same angle.



### Step 2 Connect the DSS532 with Phone\*

- Plug one end of the RJ11 Cable into the **Auxiliary Port** of the phone and the other end into the **IN Port** of the DSS532.



\* You can also connect DSS532 with EON510 instead of SPARSH VP510.

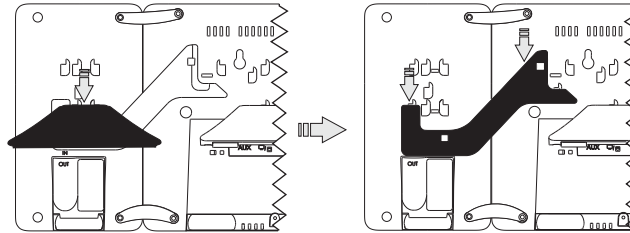
5.

### Installing Multiple DSS532\*

#### Step 1 Attach the second DSS532 with phone

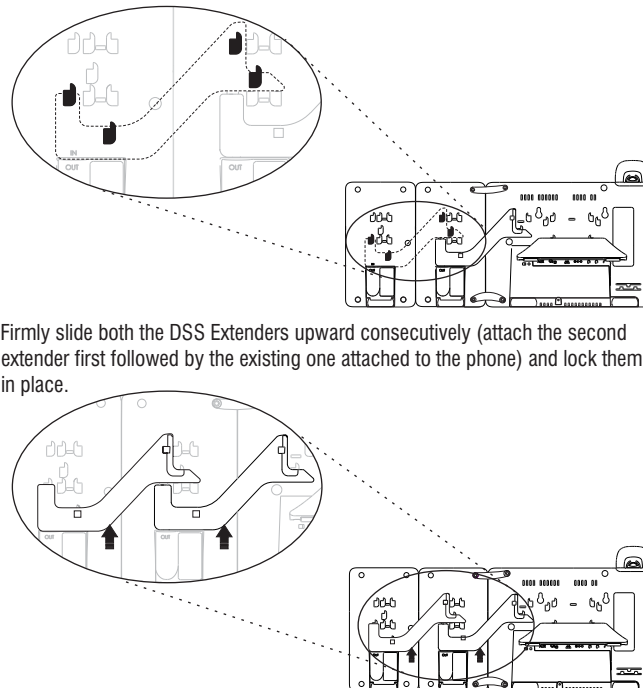
#### Remove the Foot Stand of attached DSS532

- Firmly slide the Foot Stand of the attached DSS532 downward to unlock.
- Now, slide down the attached DSS Extender in downward direction.



#### Attach the second DSS Extender

- Place another inverted DSS532 adjacent to the existing assembly.
- Place the DSS Extender as illustrated in the diagram below.
- Insert the hooks on the Extender into the slots provided on both the DSS532.

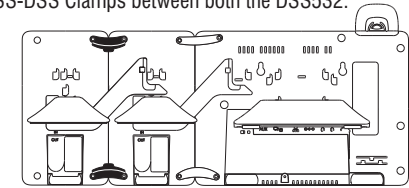


- Firmly slide both the DSS Extenders upward consecutively (attach the second extender first followed by the existing one attached to the phone) and lock them in place.

6.

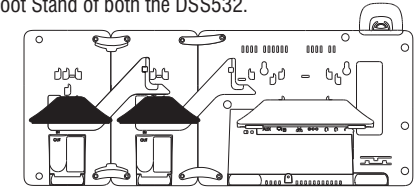
### Attach the Clamps

- Attach the DSS-DSS Clamps between both the DSS532.



### Attach the Foot Stand

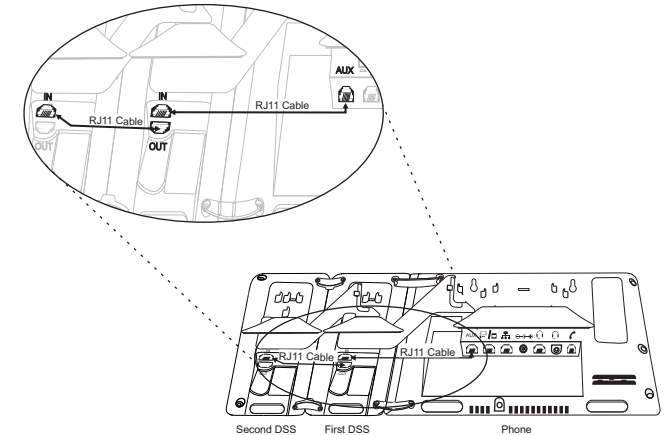
- Attach the Foot Stand of both the DSS532.



**Note:** Make sure that both the DSS532 and the phone are mounted at the same angle.

#### Step 2 Connect the second DSS532 to the existing assembly

- Plug one end of the RJ11 Cable into the **OUT Port** of the existing DSS532 (already connected with the phone) and the other end into the **IN Port** of the second DSS532.



MATRIX COMSEC PVT. LTD.

**Head Office**  
394-GIDC, Makarpura, Vadodara - 390010, India  
Ph: +91 265 2630555  
E-mail: Support@MatrixComSec.com

www.MatrixTeleSol.com