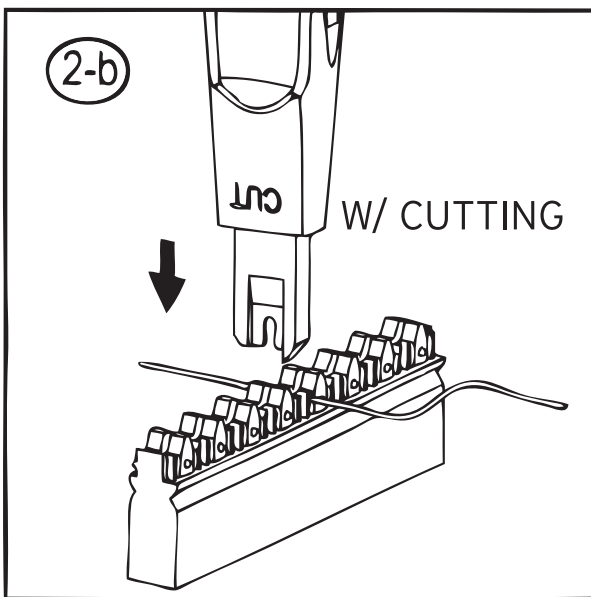
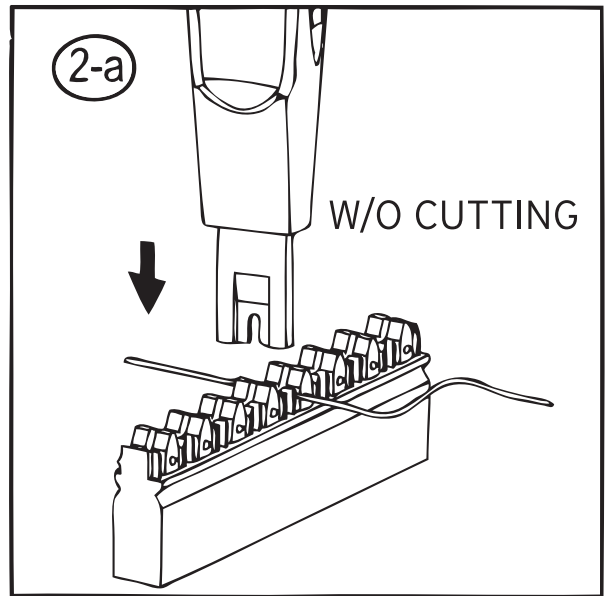
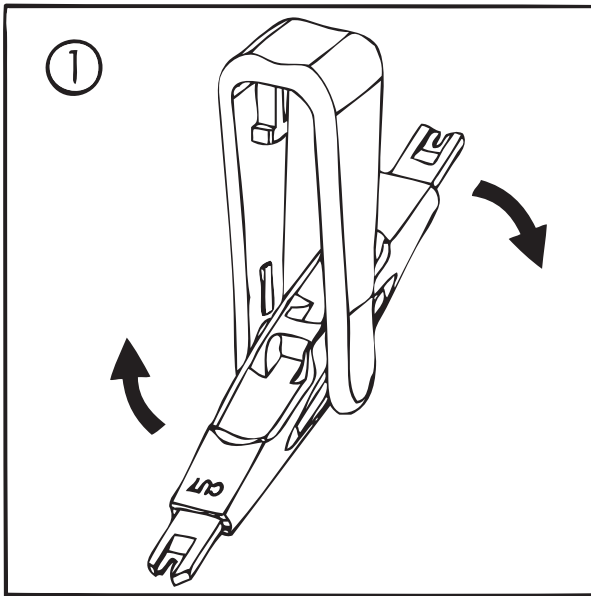


ENI-110 INSTRUCTIONS



INSTRUCTIONS:

1. Rotate & set tool with or without cutting blade

2-a. Place wire in terminal block

2-b. Punch the wire