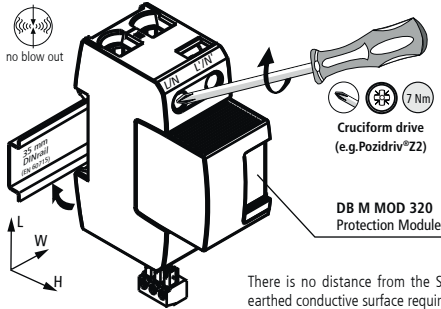




**DEHNbloc® modular
DB M 1 320 (FM)**

| | |
|---------|-------------------|
| Class I | IEC 61643-11: ... |
| Type 1 | EN 61643-11: ... |



There is no distance from the SPD to any earthed conductive surface required.
Es ist kein zusätzlicher Abstand vom SPD zu geerdeten Flächen einzuhalten.

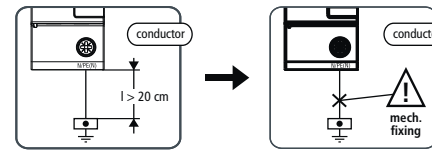
(indoor use only / Nur im Innenraum)

Technical Data / Technische Daten

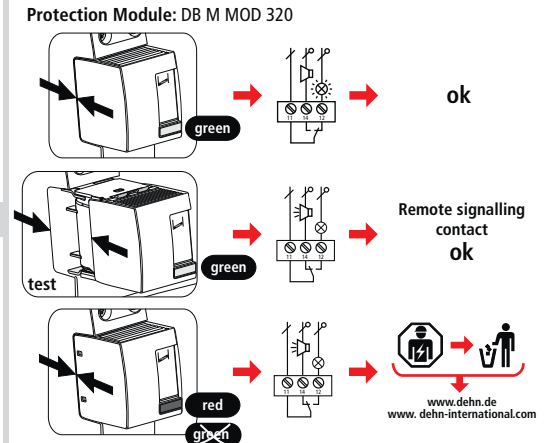
| | |
|--------------------------|---|
| U_N | 277 V (50/60 Hz) Tol.: 0V ... U_C |
| U_C | 320 V (50/60 Hz) |
| I_{fi} | 50 kA _{rms} |
| I_{SCCR} | 50 kA _{rms} |
| I_{imp} 10/350 μ s | 25 kA |
| max. \Rightarrow | 125 A gG (Series connection) |
| max. \Rightarrow | 315 A gG (Parallel connection) |
| ϑ | -40°C ... + 80°C (... +60°C, Series connection) |
| I_{PE} | < 1 mA |
| humidity / Feuchte | 5% ... 95% |
| Ports | 1 |
| IP Code | IP 20 (built in / eingebaut) |
| L x W x H | 90 mm x 36 mm x 73 mm |

| | | | |
|--------------------------------------|-----------------------|--------------------|---------|
| | 16.5 mm | 16.5 mm | 16.5 mm |
| max. \square L, N, N/PE(N) | 35 mm ² | 50 mm ² | |
| max. \square L', N' | 25 mm ² | 35 mm ² | |
| min. \square L, L', N, N', N/PE(N) | 10 mm ² | | |
| \square Δ | 16 mm ² Cu | ≥ 15.5 mm | |

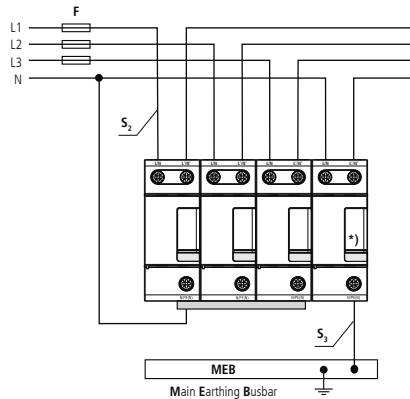
Mechanical fixing / Mechanische Befestigung



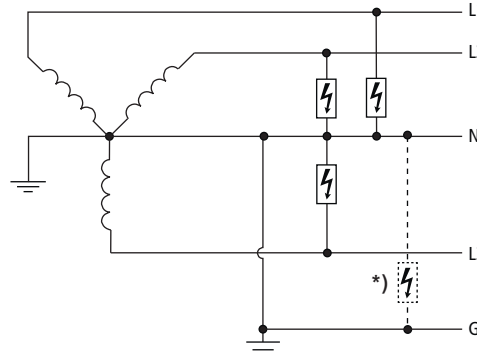
Fault indication / Defektanzeige



3 Ph Y, 4W+G 277 / 480 V Series connection



***) Note:** If the DEHNbloc DB M 1 320 (FM), (secondary surge arrester) are installed more than six conductor feet (two meters) from the neutral to ground bond point (usually service entrance), then an additional DEHNbloc should be installed between neutral and ground.



Backup fuse / Vorsicherung

| | |
|--------------------------------------|---|
| DEHNbloc® modular DB M 1 320 (FM) | |
| F | $F \leq 125$ A gG ok |
| | $F > 125$ A gG see Parallel connection |

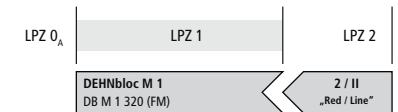
| Fuse F A gG | S_2 / mm ² | S_3 / mm ² |
|----------------|-------------------------|-------------------------|
| 25 | 10 | 16 |
| 35 | 10 | 16 |
| 40 | 10 | 16 |
| 50 | 10 | 16 |
| 63 | 10 | 16 |
| 80 | 16 | 16 |
| 100 | 25 | 25 |
| 125 | 35 | 35 |

Remote signalling contact / Fernmeldekontakt

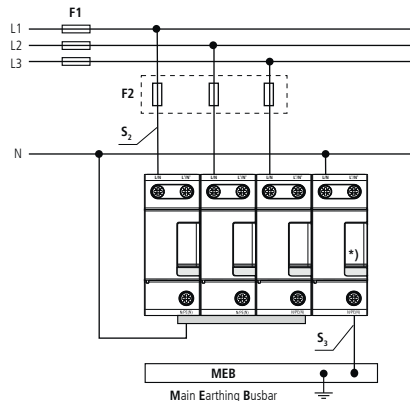
| | |
|---------------------------------|-------------------|
| DEHNbloc® modular DB M 1 320 FM | |
| | U_N / I_N |
| | AC: 250 V / 0.5 A |
| | DC: 250 V / 0.1 A |
| | 125 V / 0.2 A |
| 75 V / 0.5 A | |
| max. 1.5 mm ² | |

Coordination / Koordination

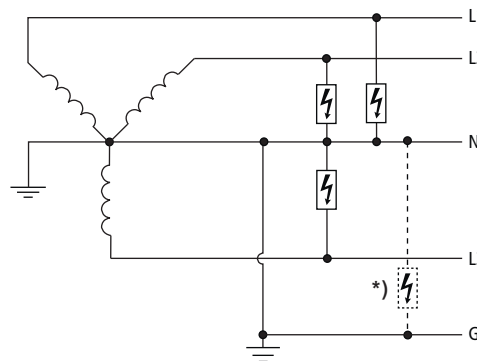
DIN VDE 0185-305-4: ... / IEC 62305-4: ...



3 Ph Y, 4W+G 277 / 480 V Parallel connection



***) Note:** If the DEHNbloc DB M 1 320 (FM), (secondary surge arrester) are installed more than six conductor feet (two meters) from the neutral to ground bond point (usually service entrance), then an additional DEHNbloc should be installed between neutral and ground.



Backup fuse / Vorsicherung

| Protection against short circuit / Kurzschlußschutz | $I_k \leq 50$ kA _{rms} | | $I_k > 50$ kA _{rms} | |
|--|---------------------------------|-----------------|------------------------------|----|
| | F1 | F2 | F1 | F2 |
| $F1 \leq 315$ A | $F1 \leq 200$ A | $F1 \leq 315$ A | $F1 > 200$ A | |
| $F1 > 315$ A | $F1 > 200$ A | $F2 \leq 315$ A | $F2 \leq 200$ A | |

Parallel connection

| Fuse F1 / A | S_2 / mm ² | S_3 / mm ² | Fuse F2 / A gG |
|-------------|-------------------------|-------------------------|-------------------|
| ... 80 | 10 | 16 | --- |
| 100 ... 125 | 16 | 16 | --- |
| 160 | 25 | 25 | --- |
| 200 ... 250 | 35 | 35 | --- |
| 315 | 50 | 50 | --- |
| > 315 | 50 | 50 | 315 |

