



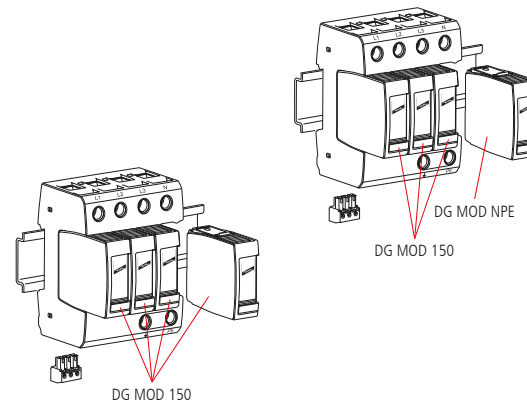
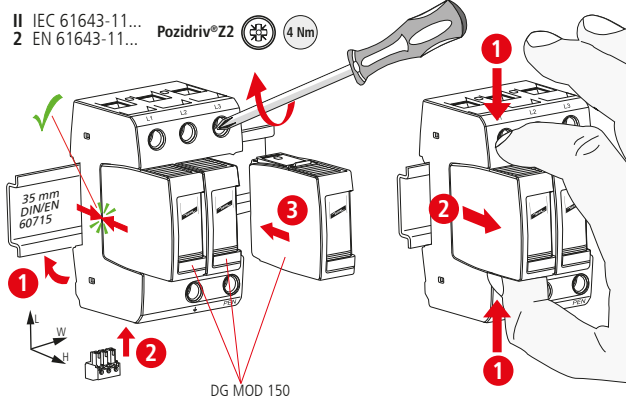
DEHNguard® modular

DG M TNC 150 (FM)

DG M TNS 150 (FM)

DG M TT 150 (FM)

- DE Einbauanleitung
- GB Installation instructions
- IT Istruzioni di montaggio
- FR Instructions de montage
- NL Montagehandleiding
- ES Instrucciones de montaje
- PT Instruções de montagem
- DK Monteringsvejledning
- SE Monteringsanvisning
- FI Asennusohje
- GR Οδηγίες συναρμολόγησης
- PL Instrukcja montażu
- CZ Montážní návod
- TR Kurulum Talimatları
- RU Инструкция по монтажу
- CN 安装说明
- HU Szerelési útmutató
- JP 設置説明書



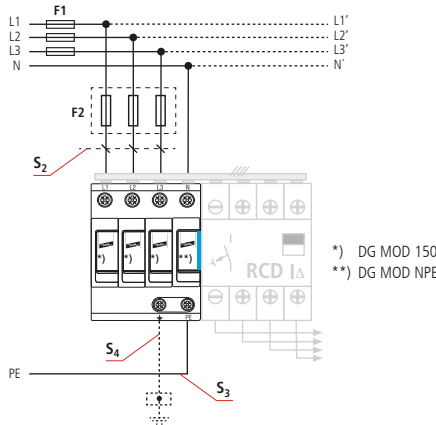
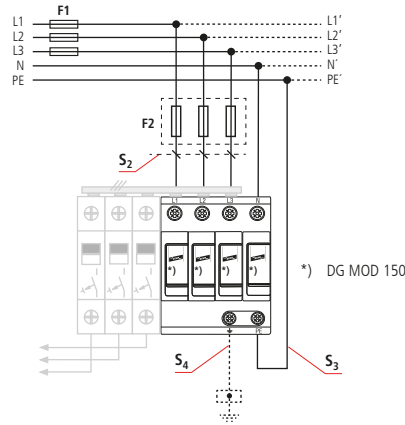
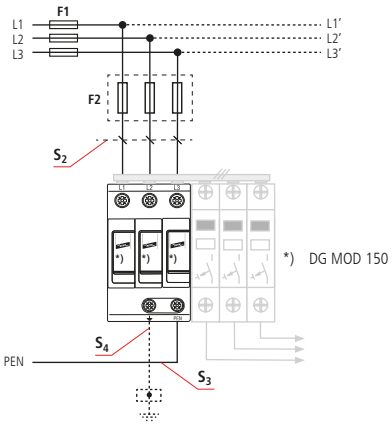
	DG M TNC 150 (FM)	DG M TNS 150 (FM)	DG M TT 150 (FM)	
		DG MOD 150		DG MOD NPE
$U_N / \text{Tol.: } 0V \dots U_C$	---	120 V	L-N	N-PE
U_C	---	150 V ~	---	255 V ~
f_N	---	50 / 60 Hz	---	---
max. I_{sc}	---	125 A gG	---	---
I_{SCCR}	---	50 kA _{rms}	---	---
I_{fl}	---	---	---	100 A _{rms}
I_{PE}	---	< 0.15 mA	---	< 5 μ A
I_{max}	---	40 kA	---	---
ϑ°	---	-40°C ... + 80°C	---	---
Φ	---	5% ... 95%	---	---
IP *)	---	20	---	---
L x W x H	90 mm x 54 mm x 73 mm	---	90 mm x 72 mm x 73 mm	---

	12 mm	12 mm	12 mm
min. \square L, N, PE(N), \downarrow	---	---	1.5 mm ²
max. \square L, N, PE(N), \downarrow	25 mm ²	---	35 mm ²
\square	16 mm ² Cu	≥ 15.5 mm	

TN-C DG M TNC 150 (FM)

TN(-C)-S DG M TNC 150 (FM)

TT DG M TT 150 (FM)



DEHNguard® modular
DG M ... 150 FM

	U_N / I_N : AC: 250 V / 0.5 A
	DC: 250 V / 0.1 A 125 V / 0.2 A 75 V / 0.5 A

0.2 Nm

max. 1.5 mm²

DEHNguard® modular
DG M ... 150 (FM)

F1	F1 > 125 A gG F2 ≤ 125 A gG
F2	F1 ≤ 125 A gG

DEHNguard® modular
DG M ... 150 (FM)

F1 A gG	S ₂ / mm ²	S ₃ / mm ²	S ₄ / mm ²	F2 A gG
25	2.5	6	6	---
35	4	6	6	---
40	4	6	6	---
50	4	6	6	---
63	10	10	10	---
80	10	10	10	---
100	16	16	16	---
125	16	16	16	---
>125	16	16	16	125

