



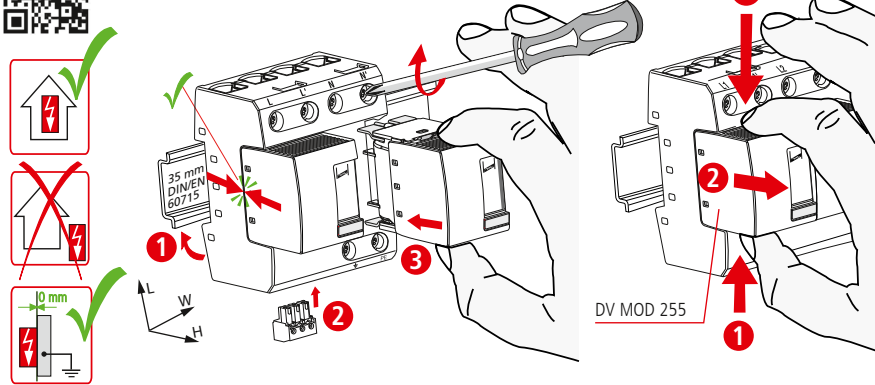
DEHNventil®modular DV M TN 255 (FM)

- DE Einbauanleitung
- GB Installation instructions
- IT Istruzioni di montaggio
- FR Instructions de montage
- NL Montagehandleiding
- ES Instrucciones de montaje
- PT Instruções de montagem
- DK Monteringsvejledning
- SE Monteringsanvisning
- FI Asennusohje
- GR Οδηγίες συναρμολόγησης
- PL Instrukcja montażu
- CZ Montážní návod
- TR Kurulum Talimatları
- RU Инструкция по монтажу
- CN 安装说明
- HU Szerelési útmutató
- JP 設置説明書

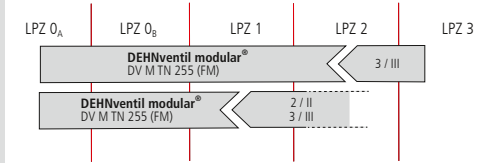


I+II IEC 61643-11...
1+2 EN 61643-11...

Pozidriv®Z2 (7 Nm)

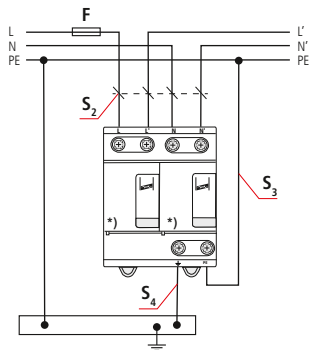


U_N	230 / 400 V (50/60 Hz) Tol.: 0V ... U_c
U_c	264 V (50/60 Hz)
$I_{fl}^{(1)}$	50 kA _{rms}
I_{SCCR}	50 kA _{rms}
$I_{imp, 10/350 \mu s}$	25 kA (L ⇒ PE); 25 kA (N ⇒ PE); 50 kA (L + N ⇒ PE)
max. \Rightarrow 2)	125 A gG
max. \Rightarrow 3)	315 A gG
ϑ	-40°C ... +80°C (... +60°C 2)
I_{PE}	<< 10 μ A
Φ	5% ... 95%
IP 4)	20
L x W x H	90 mm x 72 mm x 73 mm



min. \square L, L', N, N', PE, ↓	10 mm ²	
max. \square L, N, PE	35 mm ²	50 mm ²
max. \square L', N', ↓	25 mm ²	35 mm ²
\square ⚠	16 mm ² Cu	≥15.5 mm

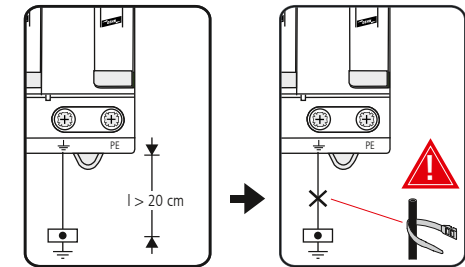
2) TN S



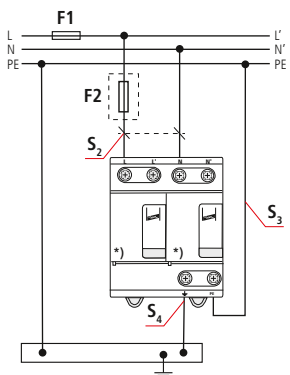
*) DV MOD 255

DEHNventil modular DV M TT 2P 255 (FM)		S_2 / mm ²	S_3 / mm ²	S_4 / mm ²
F	$F \leq 125$ A gG	10	16	16
	$F > 125$ A gG	35	16	16

F A gG	S_2 / mm ²	S_3 / mm ²	S_4 / mm ²
25	10	16	16
35	10	16	16
40	10	16	16
50	10	16	16
63	10	16	16
80	16	16	16
100	25	16	16
125	35	16	16



3) TN S

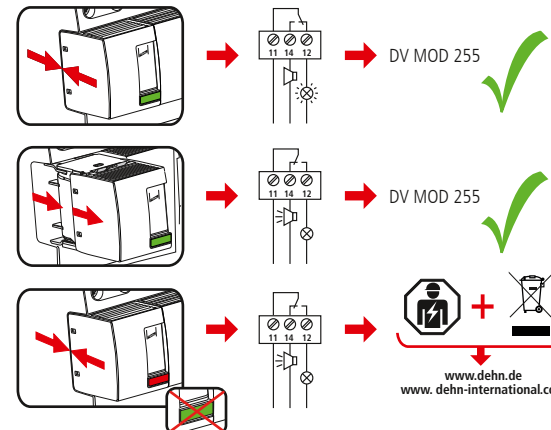


*) DV MOD 255

DEHNventil modular DV M TN 255 (FM)		F1 A gG	F2 A gG
F1	$F1 > 315$ A gG	---	---
	$F2 \leq 315$ A gG	---	---
F2	$F1 \leq 315$ A gG	---	---
	$F2$	---	---

$I_k \leq 100$ kA_{rms}

F1 A gG	S_2 / mm ²	S_3 / mm ²	S_4 / mm ²	F2 A gG
25	10	16	16	---
35	10	16	16	---
40	10	16	16	---
50	10	16	16	---
63	10	16	16	---
80	10	16	16	---
100	16	16	16	---
125	16	16	16	---
160	25	25	25	---
200	35	35	25	---
250	35	35	25	---
315	50	50	25	---
>315	50	50	25	315



www.dehn.de
www.dehn-international.com

DEHNventil modular DV M TN 255 FM	
U_N / I_N	AC: 250 V / 0.5 A
	DC: 250 V / 0.1 A 125 V / 0.2 A 75 V / 0.5 A
max. 1.5 mm ²	

