



Installation / Montage

Segurança
 INMETRO DCP 0004

Certificado N.º: TUV 17.0697X
 Ex ia [Ia Ga] IIC T6...T4 Gb
 Ex ib IIC T6...T4 Gb

Para conexão para circuitos intrinsecamente:
 U_i = 30 V
 I_i = 500 mA
 P_i = indeterminada
 C_i = desprezível
 L_i = desprezível

Ou para conexão para circuitos FISCO
 U_i = 17,5 V
 I_i = 380 mA
 P_i = 5,32 W
 C_i = desprezível
 L_i = desprezível

Faixa de temperatura ambiente:
 -40 °C ≤ Ta ≤ +55 °C – para T6
 -40 °C ≤ Ta ≤ +75 °C – para T5
 -40 °C ≤ Ta ≤ +80 °C – para T4

Normas Técnicas / Regulamento:
 ABNT NBR IEC 60079-0:2013
 ABNT NBR IEC 60079-11:2013
 ABNT NBR IEC 60079-26:2016
 Portaria INMETRO n.º 179 de 18/05/2010

IECE DEK 11.0078X
 Ex ia [Ia Ga] IIC T4/T5/T6 Gb
 Ex ib IIC T4/T5/T6 Gb

KEMA 06 ATEX 0274 X
 II 2 (1) G Ex ia [Ia Ga] IIC T4/T5/T6 Gb
 II 2 G Ex ib IIC T4/T5/T6 Gb
 FISCO

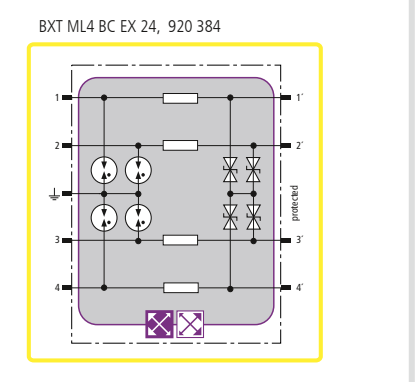
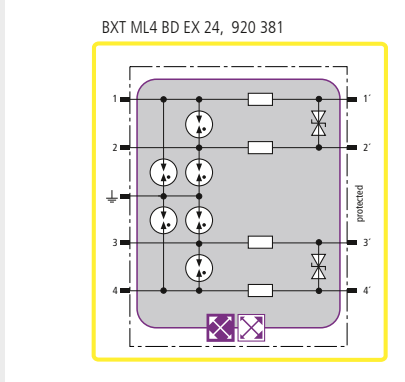
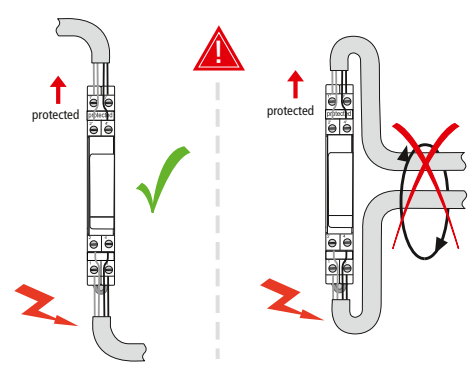
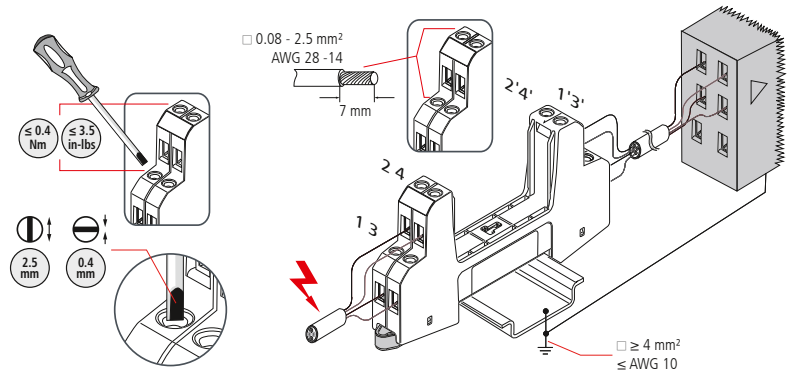
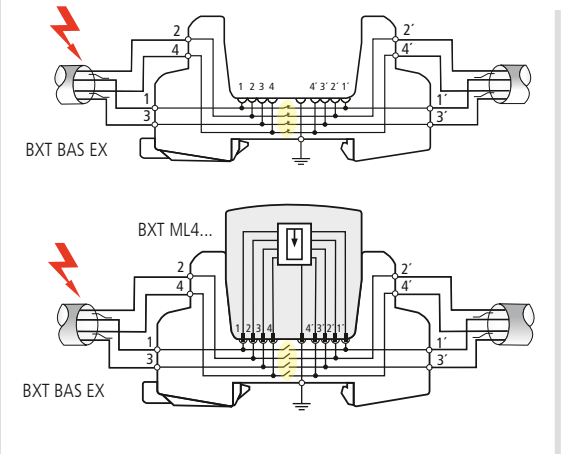
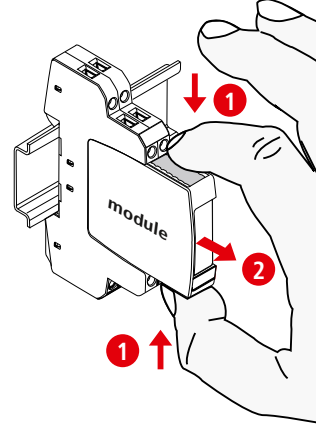
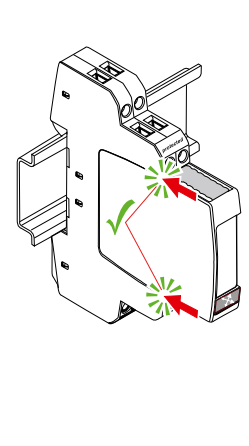
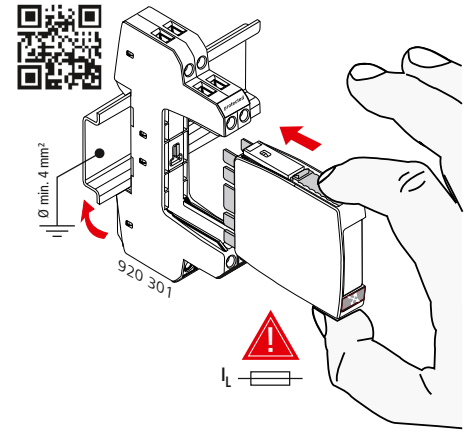
Standards:
 for ATEX: EN 60079-0: 2012
 EN 60079-11: 2012

for IECEx: IEC 60079-0: 2011
 IEC 60079-11: 2011
 IEC 60079-26: 2006

Connection with intrinsically safe circuits with:
 U_i = 30 V
 I_i = 500 mA
 P_i = any
 C_i negligibly small
 L_i negligibly small

Special conditions for safe use
 The dielectric strength of at least 500 V of the intrinsically safe circuits of the Blitzductor series BXT is limited only by the overvoltage protection.

Ambient temperature range:
 -40°C...+55°C for temperature class T6
 -40°C...+75°C for temperature class T5
 -40°C...+80°C for temperature class T4

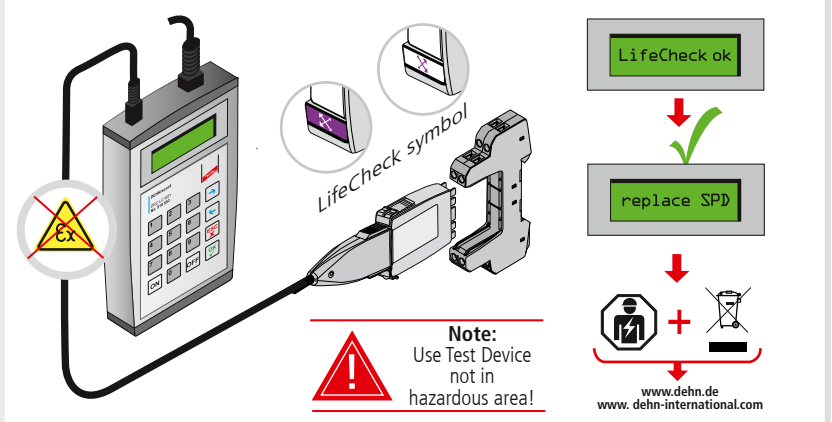
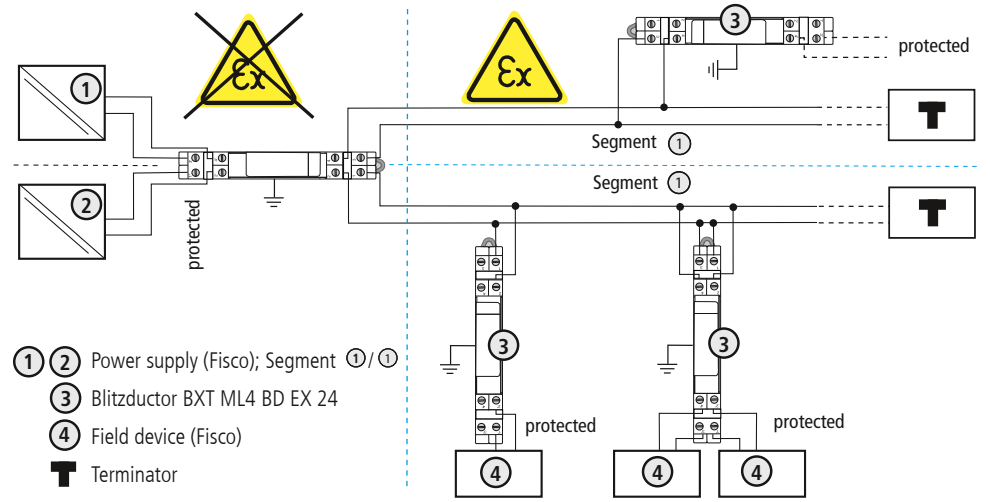


Application / Anwendung

Fieldbus FISCO
Power supply
 U₀ ≤ 17,5 V,
 I₀ ≤ 380 mA

Field device
 U_i ≤ 17,5 V, I_i ≤ 380 mA,
 P_i ≤ 5,32 W, C_i negligibly small,
 L_i negligibly small

* Intrinsically safe circuits see Control drawing on page 2



Note:
 Use Test Device not in hazardous area!

www.dehn.de
 www.dehn-international.com



Control Drawing

Intrinsic Safety

Blitzductor Surge Protectors

BXT ML4 BD EX 24 and BXT ML4 BC EX 24

Certificate CSA 12.7000011

Ambient temperature range:

- 40° C to + 55° C for T6
- 40° C to + 75° C for T5
- 40° C to + 80° C for T4

Installation should be in accordance with Canadian Electrical Code CSA C22.2 part I.

WARNING:

Substitution of components may impair intrinsic safety!

AVERTISSEMENT:

La substitution de composants peut compromettre la sécurité intrinsèque!

For use in type of protection IS, Class I Div. 1, GP A, B, C, D T4...T6, Class I, Zone 1, AEx ia[ia] IIC T4...T6 or Ex ia[ia] IIC T4...T6: Module input circuits (terminals X1, X2, X3 an X4) for connection to a certified intrinsically safe circuit, with the following maximum values:

Ui = 30 V; li = 500 mA; Pi = any; Ci = 0 nF; Li = 0 mH

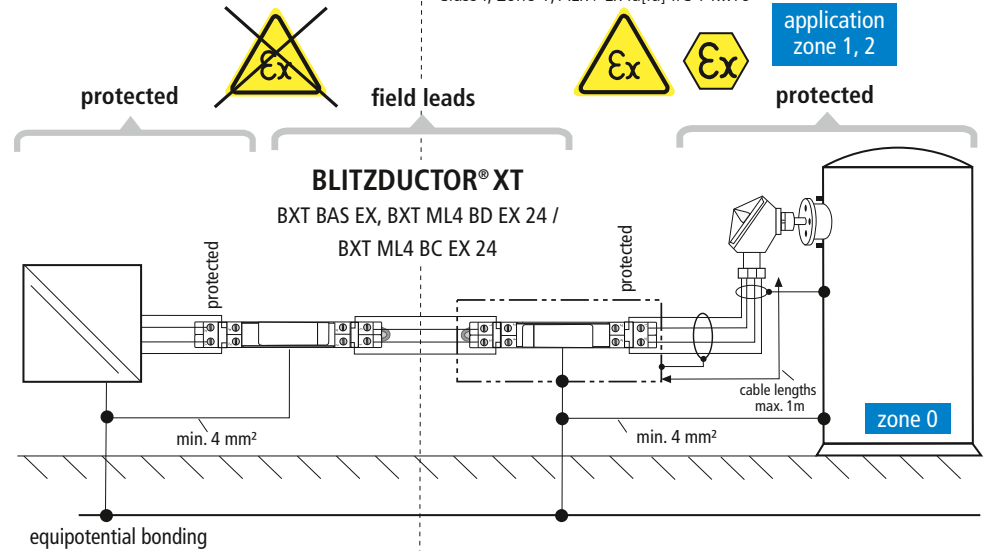
or for connection to a certified intrinsically safe circuit or a circuit in accordance with FISCO, with the following maximum values: Ui = 17.5 V; li = 380 mA; Pi = 5.32 W; Ci = 0 nF; Li = 0 µH

The module outputs (terminals 1', 2') can be connected to zone 0.

Non hazardous area

Hazardous area

Class I Div. 1, GP A, B, C, D T4...T6
Class I, Zone 1, AEx / Ex ia[ia] IIC T4...T6



EC/EU Declaration of Conformity

CE EC/EU Declaration of Conformity
EG/EU Konformitätserklärung



Document: CE - BXT ML4 BD EX 24
Date: DEHN + SÖHNE GmbH + Co.KG, Hans-Dehn-Strasse 1, 92318 Neumarkt, Germany

We declare that the designated product(s) and the following product(s):

Product Type Produktbezeichnung	Article No. Artikel-Nr.	Standard Norm	EC/EU-Type Examination Certificate Prüfbescheinigung	Date Datum
BXT ML4 BD EX 24	920381	EN 60079-0:2012 + A11 EN 60079-11:2012	KEMA 06ATEX0274 X Issue No. 4	12.08.2015
BXT BAS EX	920301	EN 60079-0:2012 + A11 EN 60079-11:2012	KEMA 06ATEX0274 X Issue No. 4	12.08.2015

DEKRA Certification B.V., Arnhem, The Netherlands
Notified body number: 0344

is/are in conformity with the European Directives:
den Europäischen Richtlinien entsprechen:

94/9/EC ATEX Directive of 23 March 1994 - effective until 19. April 2016
94/9/EC ATEX-Richtlinie vom 23. März 1994 - gültig bis 19. April 2016
2014/34/EU ATEX Directive of 26 February 2014 - effective from 20. April 2016
2014/34/EU ATEX-Richtlinie vom 26. Februar 2014 - gültig ab 20. April 2016

and the designated product(s) and the following product(s):

Product Type Produktbezeichnung	Article No. Artikel-Nr.	Standard Norm	Technical Report Prüfbericht	Date Datum
BXT ML4 BD EX 24	920381	EN 61643-21:2001 + A1:2009 + A2:2013	DS-Y-06-11	18.01.2016
BXT BAS EX	920301	EN 61643-21:2001 + A1:2009 + A2:2013	DS-Y-06-11	18.01.2016

CE EC/EU Declaration of Conformity
EG/EU Konformitätserklärung



is/are in conformity with the European Directives:
den Europäischen Richtlinien entsprechen:

2006/95/EC Low-Voltage Directive of 12 December 2006 - effective until 19. April 2016
2006/95/EC Niederspannungsrichtlinie vom 12. Dezember 2006 - gültig bis 19. April 2016
2014/35/EU Low-Voltage Directive of 26 February 2014 - effective from 20. April 2016
2014/35/EU Niederspannungsrichtlinie vom 26. Februar 2014 - gültig ab 20. April 2016

This declaration certifies compliance with the indicated directives but implies no warranty of properties. The safety instructions of the accompanying documentation shall be observed. This declaration of conformity is issued under the sole responsibility of the manufacturer. Diese Erklärung bescheinigt die Übereinstimmung mit den genannten Richtlinien, enthält jedoch keine Zusicherung von Eigenschaften. Es gelten die Sicherheitshinweise in der mitgelieferten Produktdokumentation. Die alleinige Verantwortung für die Ausstellung dieser Konformitätserklärung trägt der Hersteller.

Issuer: DEHN + SÖHNE GmbH + Co.KG, Hans-Dehn-Strasse 1, 92318 Neumarkt, Germany

Place, date: Neumarkt, 07.03.2016

Legally binding signature: Dr. Peter Zahmann, General Manager; ppa. Dr. Ralph Brocke, Director R & D

CE EC/EU Declaration of Conformity
EG/EU Konformitätserklärung



Document: CE - BXT ML4 BC EX 24
Date: DEHN + SÖHNE GmbH + Co.KG, Hans-Dehn-Strasse 1, 92318 Neumarkt, Germany

We declare that the designated product(s) and the following product(s):

Product Type Produktbezeichnung	Article No. Artikel-Nr.	Standard Norm	EC/EU-Type Examination Certificate Prüfbescheinigung	Date Datum
BXT ML4 BC EX 24	920384	EN 60079-0:2012 + A11 EN 60079-11:2012	KEMA 06ATEX0274 X Issue No. 4	12.08.2015
BXT BAS EX	920301	EN 60079-0:2012 + A11 EN 60079-11:2012	KEMA 06ATEX0274 X Issue No. 4	12.08.2015

is/are in conformity with the European Directives:
den Europäischen Richtlinien entsprechen:

94/9/EC ATEX Directive of 23 March 1994 - effective until 19. April 2016
94/9/EC ATEX-Richtlinie vom 23. März 1994 - gültig bis 19. April 2016
2014/34/EU ATEX Directive of 26 February 2014 - effective from 20. April 2016
2014/34/EU ATEX-Richtlinie vom 26. Februar 2014 - gültig ab 20. April 2016

and the designated product(s) and the following product(s):

Product Type Produktbezeichnung	Article No. Artikel-Nr.	Standard Norm	Technical Report Prüfbericht	Date Datum
BXT ML4 BC EX 24	920384	EN 61643-21:2001 + A1:2009 + A2:2013	DS-Y-06-12	18.01.2016
BXT BAS EX	920301	EN 61643-21:2001 + A1:2009 + A2:2013	DS-Y-06-12	18.01.2016

CE EC/EU Declaration of Conformity
EG/EU Konformitätserklärung



is/are in conformity with the European Directives:
den Europäischen Richtlinien entsprechen:

2006/95/EC Low-Voltage Directive of 12 December 2006 - effective until 19. April 2016
2006/95/EC Niederspannungsrichtlinie vom 12. Dezember 2006 - gültig bis 19. April 2016
2014/35/EU Low-Voltage Directive of 26 February 2014 - effective from 20. April 2016
2014/35/EU Niederspannungsrichtlinie vom 26. Februar 2014 - gültig ab 20. April 2016

This declaration certifies compliance with the indicated directives but implies no warranty of properties. The safety instructions of the accompanying documentation shall be observed. This declaration of conformity is issued under the sole responsibility of the manufacturer. Diese Erklärung bescheinigt die Übereinstimmung mit den genannten Richtlinien, enthält jedoch keine Zusicherung von Eigenschaften. Es gelten die Sicherheitshinweise in der mitgelieferten Produktdokumentation. Die alleinige Verantwortung für die Ausstellung dieser Konformitätserklärung trägt der Hersteller.

Issuer: DEHN + SÖHNE GmbH + Co.KG, Hans-Dehn-Strasse 1, 92318 Neumarkt, Germany

Place, date: Neumarkt, 07.03.2016

Legally binding signature: Dr. Peter Zahmann, General Manager; ppa. Dr. Ralph Brocke, Director R & D

